

Product datasheet

Specifications



servo motor BCH2, Lexium, 130mm,
1000W, 8.54kg.cm², with oil seal,
with key, brake, straight connection

BCH2HM1023CF6C

Main

Range compatibility	Lexium 28 Easy Lexium 26
Device short name	BCH2
Product or component type	Servo motor

Complementary

Maximum mechanical speed	3000 rpm
[Us] rated supply voltage	220 V
Network number of phases	Three phase Single phase
Continuous stall current	5.77 A
Continuous stall torque	4.77 N.m for LXM26D at 7 A, 220 V, single phase 4.77 N.m for LXM26D at 7 A, 220 V, three phase 4.77 N.m for LXM28 at 7 A, 220 V, single phase 4.77 N.m for LXM28 at 7 A, 220 V, three phase
Continuous power	1000 W
Peak stall torque	14.3 N.m for LXM26D at 7 A, 220 V, single phase 14.3 N.m for LXM26D at 7 A, 220 V, three phase 14.3 N.m for LXM28... at 7 A, 220 V, single phase 14.3 N.m for LXM28... at 7 A, 220 V, three phase
Nominal output power	1000 W for LXM26D at 7 A, 220 V, single phase 1000 W for LXM26D at 7 A, 220 V, three phase 1000 W for LXM28... at 7 A, 220 V, single phase 1000 W for LXM28... at 7 A, 220 V, three phase
Nominal torque	4.77 N.m for LXM26D at 7 A, 220 V, single phase 4.77 N.m for LXM26D at 7 A, 220 V, three phase 4.77 N.m for LXM28... at 7 A, 220 V, single phase 4.77 N.m for LXM28... at 7 A, 220 V, three phase
Nominal speed	2000 rpm for LXM26D at 7 A, 220 V, single phase 2000 rpm for LXM26D at 7 A, 220 V, three phase 2000 rpm for LXM28... at 7 A, 220 V, single phase 2000 rpm for LXM28... at 7 A, 220 V, three phase
Maximum current Irms	20 A for LXM28... at 1 kW, 220 V
Maximum permanent current	6.29 A
Product compatibility	LXM26D servo drive motor at 1 kW, 220 V, single phase LXM26D servo drive motor at 1 kW, 220 V, three phase LXM28... servo drive motor at 1 kW, 220 V, single phase LXM28... servo drive motor at 1 kW, 220 V, three phase
Shaft end	Keyed
Shaft diameter	22 mm
Shaft length	55 mm

Excluding VAT and subject to change. Please check with your local distributor through "Where to buy"

Key width	8 mm
Feedback type	20 bits single turn absolute encoder
Holding brake	With
Holding torque	9.6 N.m built-in
Mounting support	Asian standard flange
Motor flange size	130 mm
Electrical connection	Connector MIL
Torque constant	0.83 N.m/A at 20 °C
Back emf constant	50 V/krpm at 20 °C
Number of motor poles	5.0
Rotor inertia	8.54 kg.cm ²
Stator resistance	0.62 Ohm at 20 °C
Stator inductance	7.14 mH at 20 °C
Stator electrical time constant	11.94 ms at 20 °C
Maximum radial force Fr	670 N at 2000 rpm
Maximum axial force Fa	200 N
Brake pull-in power	19.7 W
Type of cooling	Natural convection
Length	176 mm
Number of motor stacks	1
Centring collar diameter	110 mm
Centring collar depth	8 mm
Number of mounting holes	4
Mounting holes diameter	9.2 mm
Circle diameter of the mounting holes	145 mm
Distance shaft shoulder-flange	8 mm
Net weight	8.3 kg
Sizing reference	BCH2
Network number of phases	1
Accuracy error [angular]	0.044 °
Temperature copper hot	135 °C
Temperature magnet hot	100 °C
Temperature magnet rt	20 °C
Inertia	8.53 kg.cm ² of brake 8.54 kg.cm ² of motor

Environment

IP degree of protection	IP50 IM V3 IP65 IM B5, IM V1
Ambient air temperature for operation	0...40 °C

Packing Units

Unit Type of Package 1	PCE
Number of Units in Package 1	1
Package 1 Height	18.3 cm
Package 1 Width	22.7 cm
Package 1 Length	35.7 cm
Package 1 Weight	9.2 kg
Unit Type of Package 2	S06
Number of Units in Package 2	9
Package 2 Height	80 cm
Package 2 Width	60 cm
Package 2 Length	72 cm
Package 2 Weight	93.8 kg

Contractual warranty

Warranty (in months)	18
-----------------------------	----



Environmental Data

Schneider Electric aims to achieve Net Zero status by 2050 through supply chain partnerships, lower impact materials, and circularity via our ongoing “Use Better, Use Longer, Use Again” campaign to extend product lifetimes and recyclability.

[Environmental Data explained >](#)

[How we assess product sustainability >](#)



Environmental footprint

Total lifecycle Carbon footprint	1 142 kg CO2 eq.
Environmental Disclosure	Product Environmental Profile
Carbon footprint of the manufacturing phase [A1 to A3]	55 kg CO2 eq.
Carbon footprint of the distribution phase [A4]	1 kg CO2 eq.
Carbon footprint of the installation phase [A5]	0.1 kg CO2 eq.
Carbon footprint of the use phase [B2, B3, B4, B6]	1 085 kg CO2 eq.
Carbon footprint of the end-of-life phase [C1 to C4]	1 kg CO2 eq.

Use Better



Materials and Substances

Packaging made with recycled cardboard	No
Packaging without single use plastic	No
EU RoHS Directive	Compliant
REACH Regulation	REACH Declaration

Use Longer



Lifetime extension

Repair	No
--------	----

Use Again



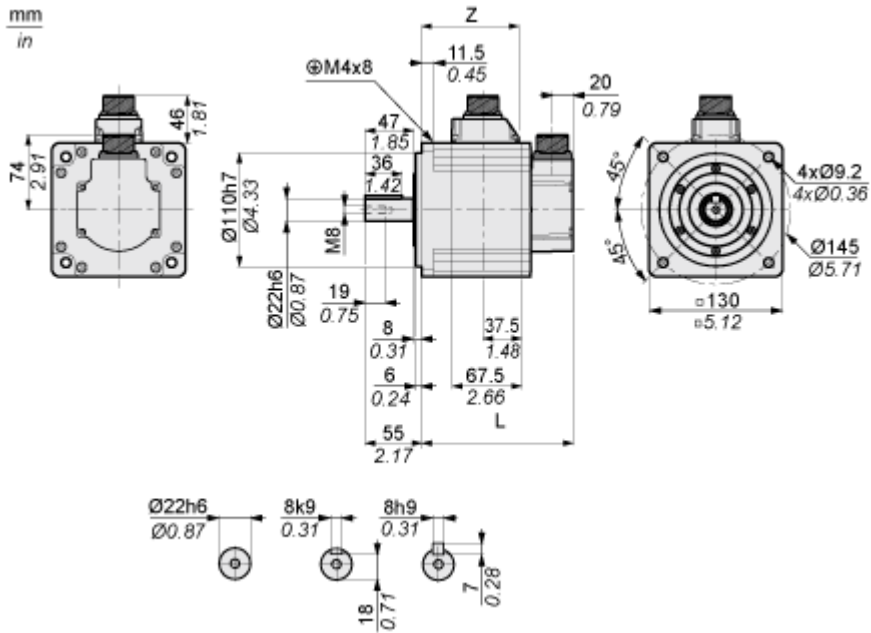
Repack and remanufacture

End of life manual availability	End of Life Information
Take-back	No

Dimensions Drawings

Dimensions

Dimensions of Motor

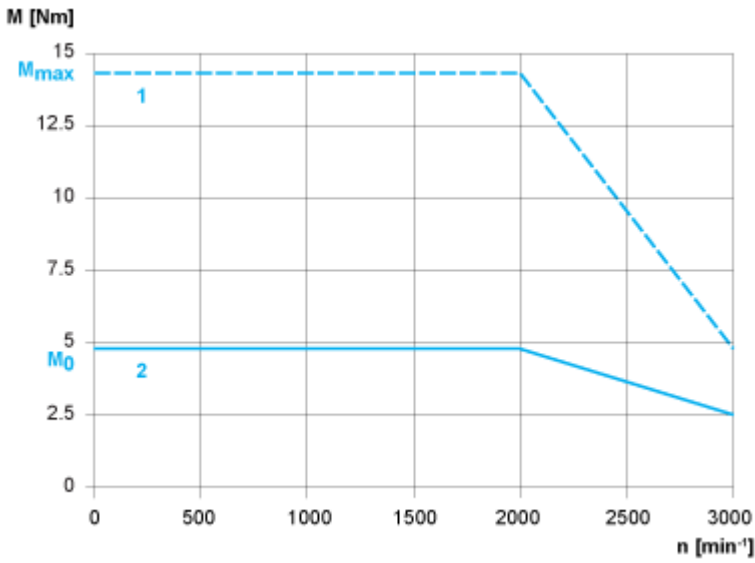


	mm	in.
L (without holding brake)	147	5.79
L (with holding brake)	183	7.2
Z	94.5	3.72

Performance Curves

Torque/Speed Curves with 230 V Single/Three Phase Supply Voltage

Servo Motor with LXM28AU10••• Servo Drive



- 1 : Peak torque
- 2 : Continuous torque