

Product datasheet

Specifications



predetermining subtracting counter - mechanical 5 digit display - 24 V DC

XBKP50100D20M

⚠ Discontinued on: 1 Jul 2020

⚠ Discontinued

Main

Range of product	Zelio Count
Product or component type	Preselection counter
Display type	Mechanical
Size	75 x 60 mm
Display digits	5 digit(s)
Counting frequency	25 Hz
Reset	Manual or electrical reset
Counting capacity	0...99999
Technology type	Electromechanical

Complementary

[Us] rated supply voltage	24 V DC Us +/- 10 %
Power consumption in W	2.5 W
Output type	Contact (volt-free)
Preset number	1
Counting mode	Adding Subtracting
Input type	Contact (20 VA/220 V/1 A maximum)
Mounting mode	Removable Flush-mounted
Mounting support	Panel mounting
fixing mode	By screws
Connections - terminals	AMP lugs (connection box)
Height	75 mm
Number of outputs	1
Net weight	0.24 kg
Width	60 mm
Product destination	Cable
CAD overall width	60 mm
CAD overall height	75 mm
CAD overall depth	102 mm

Contacts usage	Volt-free contacts
Input current	0...1 A
Rotary handle fixing	Screws

Environment

Standards	EN 50081-2 EN 61010 EN 50082-2
Product certifications	CE
IP degree of protection	IP40 conforming to IEC 60529
Ambient air temperature for operation	-10...50 °C
Ambient air temperature for storage	-40...85 °C
Vibration resistance	5 gn (f= 10...150 Hz) conforming to IEC 60068-2-6
Shock resistance	30 gn for 6 ms conforming to IEC 60068-2-27
Electrical shock protection class	Class II conforming to IEC 60536

Packing Units

Unit Type of Package 1	PCE
Number of Units in Package 1	1
Package 1 Height	7.5 cm
Package 1 Width	12 cm
Package 1 Length	15.5 cm
Package 1 Weight	313 g

Contractual warranty

Warranty (in months)	18
-----------------------------	----



Environmental Data

Schneider Electric aims to achieve Net Zero status by 2050 through supply chain partnerships, lower impact materials, and circularity via our ongoing “Use Better, Use Longer, Use Again” campaign to extend product lifetimes and recyclability.

[Environmental Data explained >](#)

[How we assess product sustainability >](#)

Use Better



Materials and Substances

EU RoHS Directive

[Compliant By Exemption](#)

Use Longer



Lifetime extension

Repair

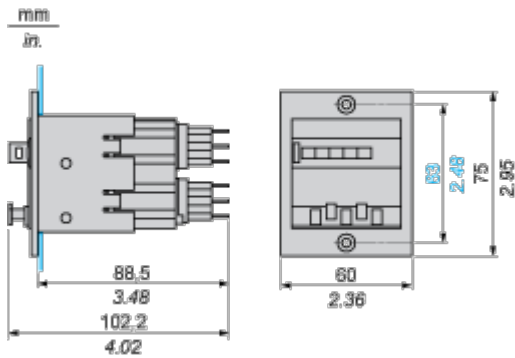
No

Dimensions Drawings

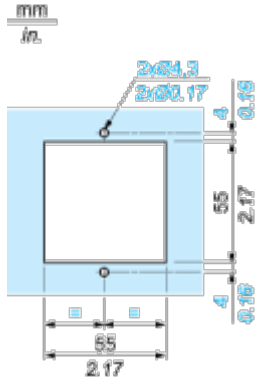
Electromechanical Preset Counters

Subtracting Preset Counters with Mechanical Display

XBKP50100D-0M

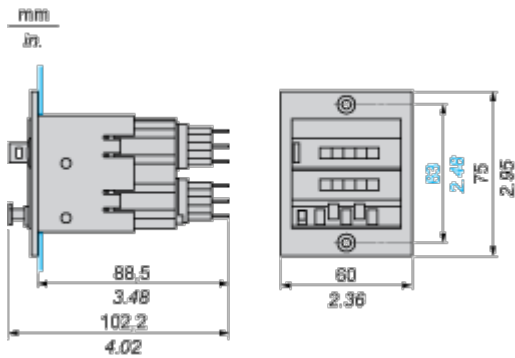


Flush-Mounting

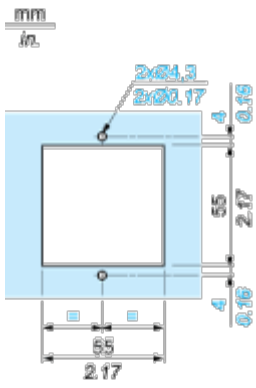


Adding Preset Counters with Mechanical Display

XBKP50100D-0M



Flush-Mounting



Connections and Schema

Wiring Diagram of Electromechanical Preset Counters

24 Vdc Supply Voltage

XBKP50100D-0M, XBKP50100U-0M

