

# Product datasheet

Specifications



## circuit breaker EasyPact EZC250H - TMD - 200 A - 4 poles 3d

EZC250H4200

### Main

Range of product	EasyPact
Product or component type	Circuit breaker
Device short name	EasyPact EZC250H
Circuit breaker name	EasyPact EZC250H
Device application	Distribution
Poles description	4P
Protected poles description	3t
Network type	AC DC
Network frequency	50/60 Hz
[In] rated current	200 A at 40 °C
[Ui] rated insulation voltage	690 V AC 50/60 Hz conforming to IEC 60947-2
[Uimp] rated impulse withstand voltage	6 kV conforming to IEC 60947-2
[Ue] rated operational voltage	550 V AC 50/60 Hz conforming to IEC 60947-2 250 V DC conforming to IEC 60947-2
Breaking capacity code	H
Breaking capacity	10 kA Icu at 550 V AC 50/60 Hz conforming to IEC 60947-2 25 kA Icu at 440 V AC 50/60 Hz conforming to IEC 60947-2 30 kA Icu at 125 V DC 1P conforming to IEC 60947-2 30 kA Icu at 250 V DC 2P conforming to IEC 60947-2 85 kA Icu at 220...240 V AC 50/60 Hz conforming to IEC 60947-2 36 kA Icu at 380...415 V AC 50/60 Hz conforming to IEC 60947-2
[Ics] rated service breaking capacity	5 kA at 550 V AC 50/60 Hz conforming to IEC 60947-2 15 kA at 125 V DC conforming to IEC 60947-2 15 kA at 250 V DC conforming to IEC 60947-2 12.5 kA at 440 V AC 50/60 Hz conforming to IEC 60947-2 18 kA at 380...415 V AC 50/60 Hz conforming to IEC 60947-2 42.5 kA at 220...240 V AC 50/60 Hz conforming to IEC 60947-2
Suitability for isolation	Yes conforming to IEC 60947-2
Utilisation category	Category A
Trip unit name	TM-D
Trip unit technology	Thermal-magnetic
Trip unit rating	200 A at 50 °C
Protection type	Short-circuit protection Overload protection
Pollution degree	3 conforming to IEC 60947

### Complementary

Excluding VAT, FCA Jabal Ali & are subject to change – check with your local distributor.

<b>Control type</b>	Toggle
<b>Mounting mode</b>	Fixed
<b>Mounting support</b>	Backplate
<b>Upside connection</b>	Front
<b>Downside connection</b>	Front
<b>Mechanical durability</b>	10000 cycles
<b>Connection pitch</b>	35 mm
<b>Local signalling</b>	Positive contact indication
<b>Neutral protection setting</b>	Without protection
<b>Earth-leakage protection</b>	Without
<b>Height</b>	165 mm
<b>Width</b>	140 mm
<b>Depth</b>	60 mm

## Environment

<b>Standards</b>	EN/IEC 60947-1 GB/T 14048.2 EN/IEC 60947-2 JIS C8201-2-2
<b>IP degree of protection</b>	IP20 conforming to IEC 60529
<b>IK degree of protection</b>	IK07 conforming to EN 50102
<b>Ambient air temperature for operation</b>	-25...70 °C
<b>Ambient air temperature for storage</b>	-35...85 °C

## Packing Units

<b>Unit Type of Package 1</b>	PCE
<b>Number of Units in Package 1</b>	1
<b>Package 1 Height</b>	12.0 cm
<b>Package 1 Width</b>	15.0 cm
<b>Package 1 Length</b>	18.0 cm
<b>Package 1 Weight</b>	2.216 kg
<b>Unit Type of Package 2</b>	S03
<b>Number of Units in Package 2</b>	6
<b>Package 2 Height</b>	30.0 cm
<b>Package 2 Width</b>	30.0 cm
<b>Package 2 Length</b>	40.0 cm
<b>Package 2 Weight</b>	13.783 kg
<b>Unit Type of Package 3</b>	PAL
<b>Number of Units in Package 3</b>	96
<b>Package 3 Height</b>	72.0 cm
<b>Package 3 Width</b>	125.0 cm
<b>Package 3 Length</b>	96.0 cm

---

Package 3 Weight	212.736 kg
------------------	------------

## Contractual warranty

---

Warranty (in months)	18
----------------------	----



## Environmental Data

Schneider Electric aims to achieve Net Zero status by 2050 through supply chain partnerships, lower impact materials, and circularity via our ongoing “Use Better, Use Longer, Use Again” campaign to extend product lifetimes and recyclability.

[Environmental Data explained >](#)

[How we assess product sustainability >](#)



### Environmental footprint

Total lifecycle Carbon footprint	731 kg CO2 eq.
Carbon footprint of the manufacturing phase [A1 to A3]	12 kg CO2 eq.
Carbon footprint of the distribution phase [A4]	0.2 kg CO2 eq.
Carbon footprint of the installation phase [A5]	0.2 kg CO2 eq.
Carbon footprint of the use phase [B2, B3, B4, B6]	716 kg CO2 eq.
Carbon footprint of the end-of-life phase [C1 to C4]	3 kg CO2 eq.
Environmental Disclosure	<a href="#">Product Environmental Profile</a>

## Use Better



### Materials and Substances

Packaging made with recycled cardboard	Yes
Packaging without single use plastic	Yes
SCIP Number	2958c627-310e-4ae4-a905-31a369b1aaa8
EU RoHS Directive	<a href="#">Compliant</a>
REACH Regulation	<a href="#">Reference contains Substances of Very High Concern above the threshold</a>

## Use Longer




### Lifetime extension

Repair	No
--------	----

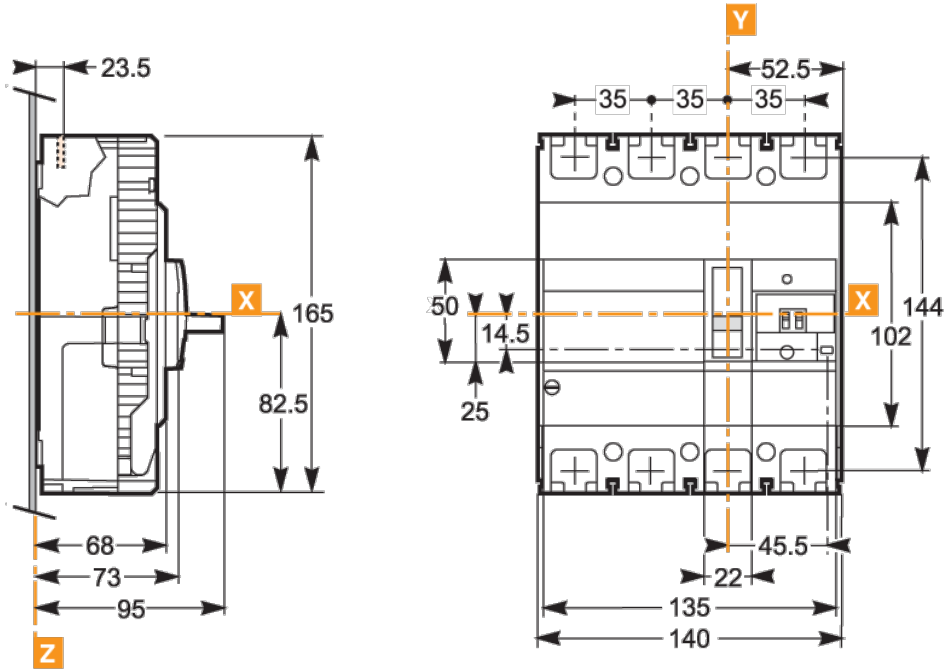
## Use Again



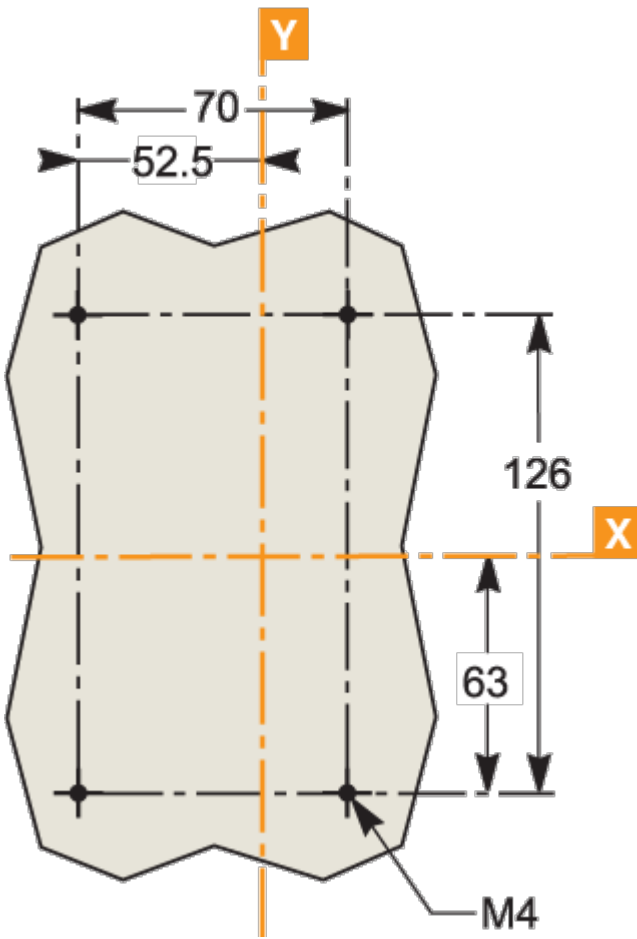
### Repack and remanufacture

Recyclability potential, in %	39
End of life manual availability	No need of specific recycling operations
Take-back	No
WEEE Label	 The product must be disposed on European Union markets following specific waste collection and never end up in rubbish bins

Dimensions Drawings



Assembly



Performance Curves



Offer Marketing Illustration

Product benefits / Features

---



**EasyPact EZC  
Range Accessories**

**Control Accessories**

- Direct rotary handle
- Extended rotary handle

**Electrical Auxiliaries**

- Indication contact
- Voltage releases

**Connection Accessories**

- Terminal extension
- Cable connectors
- Rear connectors

**Insulation Accessories**

- Terminal shield
- Interphase barriers

**Plug-in Accessories**

- [Four plug-in accessories]

Offer Marketing Illustration

Product benefits / Features

---

## EasyPact EZC

### Technical Benefits



- ideal for simple applications in smaller buildings
- Rated current from 15 to 630 A
- Breaking capacity up to 50 kA at 400/415 V.
- 1, 2, 3 and 4 pole versions and 3 frame sizes.
- Thermal-magnetic for the entire range.
- Built-in integrated earth-leakage protection (EZC 250 ELCB).
- Compliance with international standards: IEC 60947-1 and 2, CCC, EAC and other local certifications.

Offer Marketing Illustration

Product benefits / Features

---

## EasyPact EZC

### Moulded Case Circuit Breaker



A detailed view of the Schneider EasyPact EZC Moulded Case Circuit Breaker, showing its compact design, terminal block, and handle.

**Easy to choose**  
A wide range of auxiliaries, and accessories for effortless selection and complete customization.

**Effortless setup**  
Fixed front mounting, plug-in option, front connections, and interchangeable MCCB and ELCB for seamless adaptability.

**Easy to use**  
Positive contact indication for enhanced safety and reliability with compact case optimized for tight spaces.

Technical Illustration

Assembly's dimensions

---

