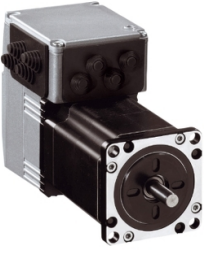


Product datasheet

Specifications



integrated drive ILS with stepper motor - 24..36V- I/O for motion sequence- 3.5A

ILS1M573PC1A0

⚠ Discontinued

⚠ Discontinued on: 31 Mar 2022

⚠ End-of-service on: 18 Jun 2025

Packing Units

Unit Type of Package 1	PCE
------------------------	-----

Number of Units in Package 1	1
------------------------------	---

Contractual warranty

Warranty (in months)	18
----------------------	----



Environmental Data

Schneider Electric aims to achieve Net Zero status by 2050 through supply chain partnerships, lower impact materials, and circularity via our ongoing “Use Better, Use Longer, Use Again” campaign to extend product lifetimes and recyclability.

[Environmental Data explained >](#)

[How we assess product sustainability >](#)

Use Better

Materials and Substances

Packaging made with recycled cardboard	No
Packaging without single use plastic	No
SCIP Number	F800009a-26ea-46d4-b613-164e8055f98f
REACH Regulation	Reference contains Substances of Very High Concern above the threshold

Use Longer

Lifetime extension

Repair	No
--------	----

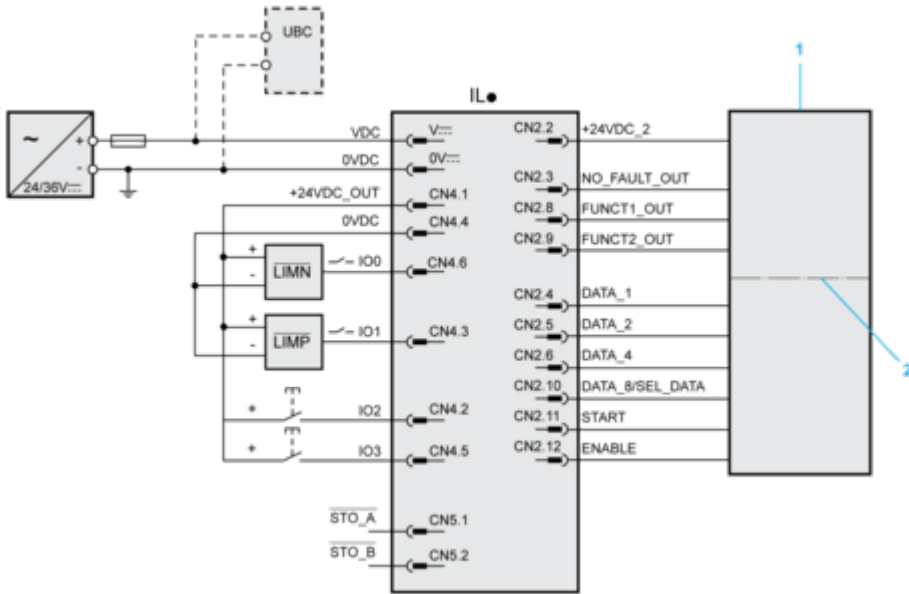
Use Again

Repack and remanufacture

Take-back	No
-----------	----

Wiring

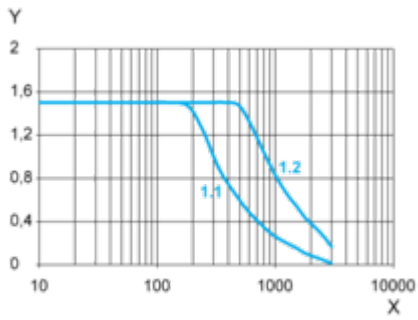
Connection Example with 4 I/O Signals



- 1 PLC
- 2 Galvanic isolation

PerformanceCurves

Torque Characteristics



X Speed of rotation in rpm

Y Torque in Nm

1.1 Max. torque at 24 V

1.2 Max. torque at 36 V