

Product datasheet

Specifications



integrated drive ILS with stepper motor - 24..36V - I/O for motion sequence - 5A

ILS1M851PC1A0

! Discontinued

! Discontinued on: 31 Mar 2022

! End-of-service on: 18 Jun 2025

Packing Units

Unit Type of Package 1	PCE
------------------------	-----

Number of Units in Package 1	1
------------------------------	---

Contractual warranty

Warranty (in months)	18
----------------------	----



Environmental Data

Schneider Electric aims to achieve Net Zero status by 2050 through supply chain partnerships, lower impact materials, and circularity via our ongoing “Use Better, Use Longer, Use Again” campaign to extend product lifetimes and recyclability.

[Environmental Data explained >](#)

[How we assess product sustainability >](#)

Use Better

Materials and Substances

Packaging made with recycled cardboard

No

Packaging without single use plastic

No

SCIP Number

F800009a-26ea-46d4-b613-164e8055f98f

Use Longer

Lifetime extension

Repair

No

Use Again

Repack and remanufacture

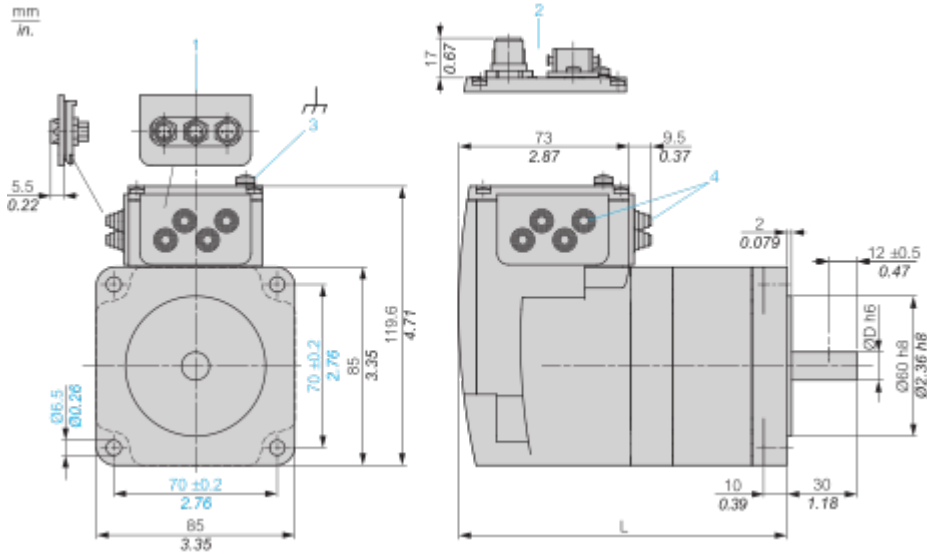
Take-back

No

Dimensions

Integrated Drive without Holding Brake

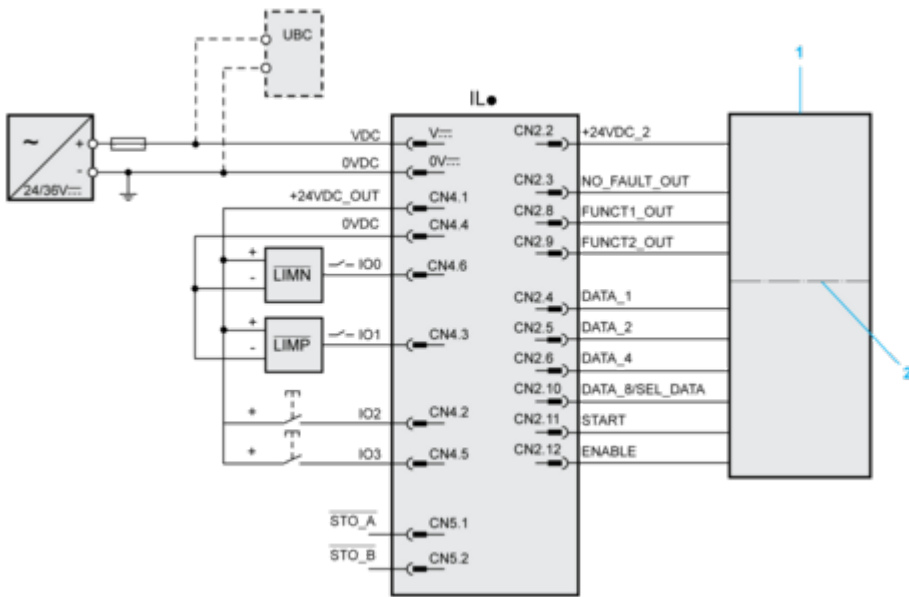
Dimensions



- 1 : Accessories: I/O signal insert with industrial connectors
- 2 : Option: industrial connectors
- 3 : Earth (ground) terminal
- 4 : Accessories: cable entries Ø = 3 ... 9 mm/0.12 ... 0.35 in.
- L : 140.6 mm/5.53 in.
- D : 12 mm/0.47 in.

Wiring

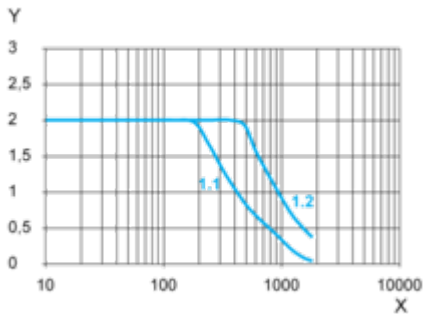
Connection Example with 4 I/O Signals



- 1 PLC
- 2 Galvanic isolation

PerformanceCurves

Torque Characteristics



X Speed of rotation in rpm

Y Torque in Nm

1.1 Max. torque at 24 V

1.2 Max. torque at 36 V