



Main

| | |
|-------------------------------|---|
| Range of Product | Telemecanique Limit switches XC Standard |
| Series name | Standard format |
| Product or Component Type | Limit switch |
| Device short name | XCKJ |
| Sensor design | - |
| Body type | Fixed |
| Head type | Rotary head |
| Material | Metal |
| Body Material | Zamak |
| Head material | Zamak |
| Fixing Mode | By the body |
| Movement of operating head | Rotary |
| Type of operator | Spring return without operating lever |
| Type of approach | Lateral approach, 1 or 2 programmable direction |
| Cable entry | 1 entry tapped for Pg 13.5 cable gland 0.35...0.47 in (9...12 mm) |
| Number of poles | 2 |
| Contacts type and composition | 1 NC + 1 NO |
| Contact operation | Snap action |

Complementary

| | |
|--|--|
| Electrical connection | Screw-clamp terminals 1 x 0.34...2 x 1.5 mm ² |
| Contacts insulation form | Zb |
| Number of steps | 1 |
| Positive opening | With |
| Positive opening minimum torque | 4.43 lbf.in (0.5 N.m) |
| Minimum torque for tripping | 2.21 lbf.in (0.25 N.m) |
| [Ie] rated operational current | 3 A 240 V, AC-15, A300 EN/IEC 60947-5-1 appendix A 0.27 A 250 V, DC-13, Q300 EN/IEC 60947-5-1 appendix A |
| [Ithe] conventional enclosed thermal current | 10 A |
| [Ui] rated insulation voltage | 300 VUL 508 500 V 3)IEC 60947-1 300 VCSA C22.2 No 14 |
| Maximum resistance across terminals | 25 MOhm IEC 60255-7 category 3 |
| [Uimp] rated impulse withstand voltage | 6 KV IEC 60664 6 kV IEC 60947-1 |
| Short-circuit protection | 10 A cartridge fuse gG |
| Electrical durability | 5000000 Cycles, DC-13, inductive, 120 V, 4 W 60 cyc/mn 0.5 IEC 60947-5-1 appendix C 5000000 Cycles, DC-13, inductive, 24 V, 10 W 60 cyc/mn 0.5 IEC 60947-5-1 appendix C 5000000 cycles, DC-13, inductive, 48 V, 7 W 60 cyc/mn 0.5 IEC 60947-5-1 appendix C |
| Mechanical durability | 30000000 cycles |
| Width | 1.57 in (40 mm) |
| Height | 3.03 in (77 mm) |

The information provided in this documentation contains general descriptions and/or technical characteristics of the performance of the products contained herein. This documentation is not intended as a substitute for and is not to be used for determining suitability or reliability of these products for specific user applications. It is the duty of any such user or integrator to perform the appropriate and complete risk analysis, evaluation and testing of the products with respect to the relevant specific application or use thereof. Neither Schneider Electric Industries SAS nor any of its affiliates or subsidiaries shall be responsible or liable for misuse of the information contained herein.

| | |
|-------------------------------|------------------------|
| Depth | 1.73 in (44 mm) |
| Terminals description ISO n°1 | (21-22)NC (13-14)NO |

Environment

| | |
|---------------------------------------|---|
| Shock resistance | 50 gn 11 ms IEC 60068-2-27 |
| Vibration resistance | 25 gn 10...500 Hz)IEC 60068-2-6 |
| IP degree of protection | IP66 conforming to IEC 60529 |
| IK degree of protection | IK07 EN 50102 |
| Overvoltage category | Class I IEC 61140 Class I NF C 20-030 |
| Ambient Air Temperature for Operation | -13...158 °F (-25...70 °C) |
| Ambient Air Temperature for Storage | -40...158 °F (-40...70 °C) |
| Protective treatment | TH |
| Product Certifications | CSA CCC UL |
| Standards | IEC 60204-1 IEC 60947-5-1 UL 508 CENELEC EN 50041 CSA C22.2 No 14 EN 60204-1 EN 60947-5-1 |

Ordering and shipping details

| | |
|-----------------------|-------------------------------|
| Category | 22411-LIMIT SWITCHES,IEC,XCKJ |
| Discount Schedule | T |
| GTIN | 3389110679090 |
| Nbr. of units in pkg. | 1 |
| Package weight(Lbs) | 15.98 oz (453.0 g) |
| Returnability | No |
| Country of origin | FR |

Packing Units

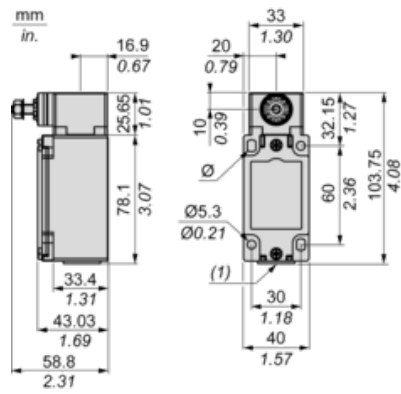
| | |
|------------------------------|-------------------------|
| Unit Type of Package 1 | PCE |
| Package 1 Height | 1.65 in (4.2 cm) |
| Package 1 width | 2.68 in (6.8 cm) |
| Package 1 Length | 5.00 in (12.7 cm) |
| Unit Type of Package 2 | S02 |
| Number of Units in Package 2 | 18 |
| Package 2 Weight | 19.12 lb(US) (8.671 kg) |
| Package 2 Height | 5.91 in (15.0 cm) |
| Package 2 width | 11.81 in (30.0 cm) |
| Package 2 Length | 15.75 in (40.0 cm) |

Offer Sustainability

| | |
|---------------------------|---|
| Sustainable offer status | Green Premium product |
| California proposition 65 | WARNING: This product can expose you to chemicals including: Diisononyl phthalate (DINP), which is known to the State of California to cause cancer, and Di-isodecyl phthalate (DIDP), which is known to the State of California to cause birth defects or other reproductive harm. For more information go to www.P65Warnings.ca.gov |
| REACH Regulation |  REACH Declaration |
| EU RoHS Directive | Pro-active compliance (Product out of EU RoHS legal scope)  EU RoHS Declaration |
| Mercury free | Yes |

| | |
|-----------------------------|---|
| RoHS exemption information |  Yes |
| Environmental Disclosure |  Product Environmental Profile |
| Contractual warranty | |
| Warranty | 18 months |

Dimensions

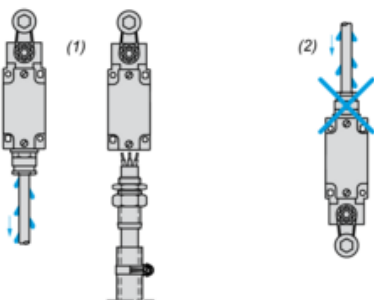


(1) 1 tapped entry Pg 13.5

Ø : 2 elongated holes Ø 5.3 x 7.3.

Mounting with Cable Entry

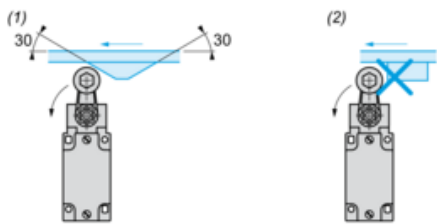
Position of Cable Gland



- (1) Recommended
- (2) To be avoided

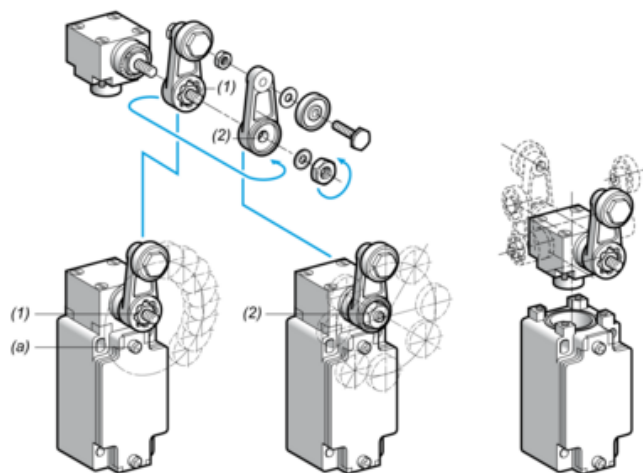
Mounting with Rotary Heads and Levers

Type of Cam



- (1) Recommended
- (2) To be avoided

Setting-up with Lever Head



- (1) 5° steps throughout 360° / Tightening torque (Min : 1) (Max : 1.5)
- (2) 45° steps throughout 360° / Tightening torque (Min : 1) (Max : 1.5)
- (a) Tightening torque (Min : 1) (Max : 1.5)

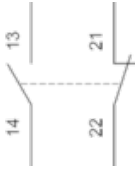
Setting-up with Head ZCKE05

Direction of Actuation Programming



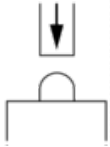
Wiring Diagram

2-pole NC + NO Snap Action

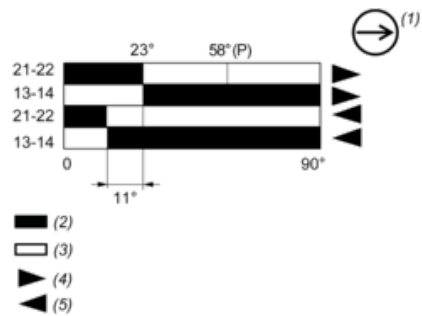


Characteristics of Actuation

Switch Actuation on End



Functionnal Diagram



(P) Positive opening point

(1) NC contact with positive opening operation

(2) Closed

(3) Open

(4) Tripping

(5) Resetting