

Product datasheet

Specifications



passive filter, Altivar, 150A, 400V,
50Hz, for variable speed drive

VW3A46112

Disclaimer: This documentation is not intended as a substitute for and is not to be used for determining suitability or reliability of these products for specific user applications



Environmental Data

Schneider Electric aims to achieve Net Zero status by 2050 through supply chain partnerships, lower impact materials, and circularity via our ongoing “Use Better, Use Longer, Use Again” campaign to extend product lifetimes and recyclability.

[Environmental Data explained >](#)

[How we assess product sustainability >](#)

Use Longer



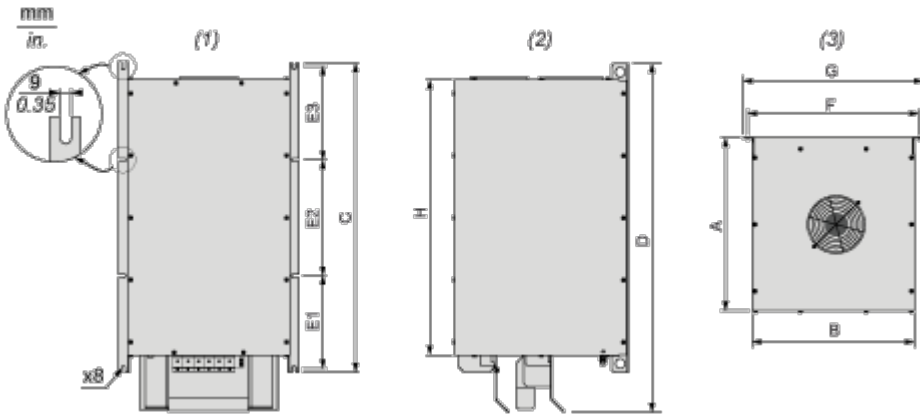
Lifetime extension

Repair

No

Dimensions Drawings

Dimensions



- (1) Front view
- (2) Right side view
- (3) Top view

Dimensions in mm

A	B	C	D	E1	E2	E3	F	G	H
400	370	685	767.6	212	240	212	393	418	598

Dimensions in in.

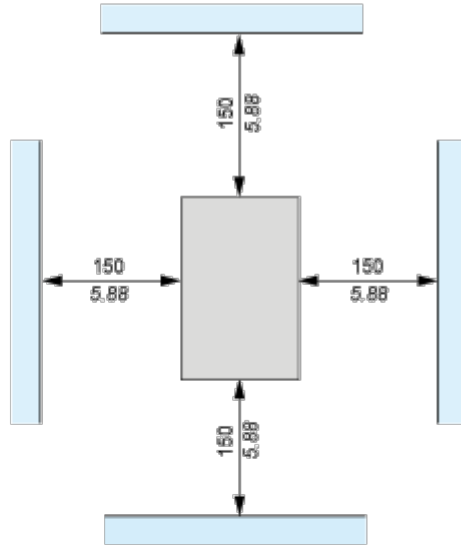
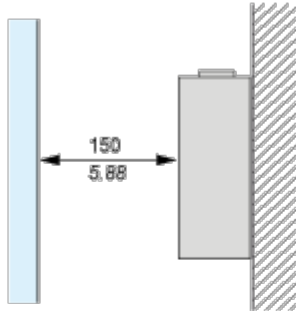
A	B	C	D	E1	E2	E3	F	G	H
15.75	14.57	26.97	30.22	8.35	9.45	8.35	15.47	16.46	23.54

Mounting and Clearance

Mounting Recommendations

Vertical Mounting Only

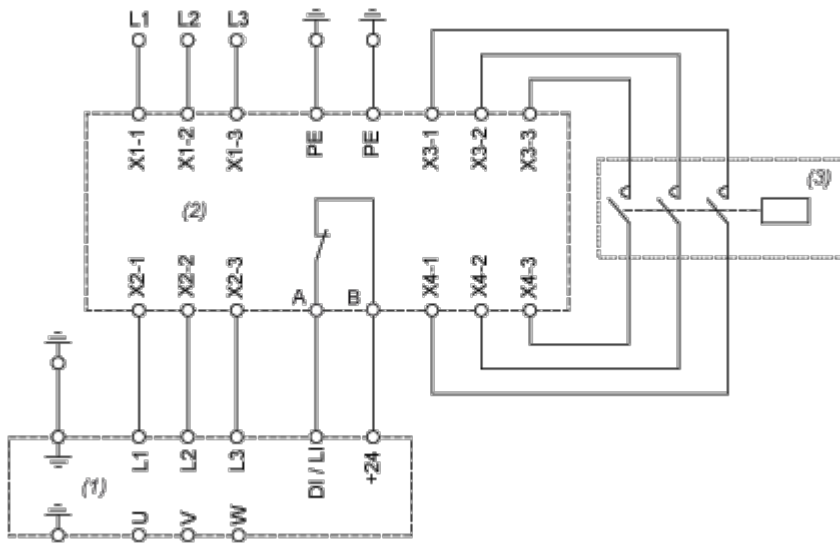
mm
in.



(1) Filter

Connections and Schema

Recommended Schema



- (1) Drive
- (2) Filter
- (3) Optional