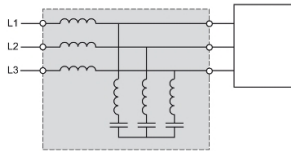


# Product datasheet

Specifications

## passive filter - 338 A - 400 V - 50 Hz - for variable speed drive



VW3A46117

⚠ Discontinued on: 30 Jun 2023

⚠ Discontinued

### Main

Product or component type	Passive filter
Product specific application	Reduction of current harmonics

### Complementary

Range compatibility	Altivar 71 Altivar 61
[Us] rated supply voltage	400 V +/- 10 %
power supply frequency	50 Hz +/- 2 %
Quantity per drive	2 filters per drive for variable speed drive ATV61H motor: 355 kW 2 filters per drive for variable speed drive ATV71H motor: 355 kW 2 filters per drive for variable speed drive ATV61Q motor: 355 kW 2 filters per drive for variable speed drive ATV71Q motor: 355 kW 3 filters per drive for variable speed drive ATV61H motor: 560 kW/800 hp 3 filters per drive for variable speed drive ATV61Q motor: 560 kW/800 hp
[In] rated current	325 A for input 338 A for output
Network number of phases	3 phases
THDI	10 % for variable speed drive ATV61H motor: 355 kW 10 % for variable speed drive ATV71H motor: 355 kW 10 % for variable speed drive ATV61Q motor: 355 kW 10 % for variable speed drive ATV71Q motor: 355 kW 10 % for variable speed drive ATV61H motor: 560 kW/800 hp 10 % for variable speed drive ATV61Q motor: 560 kW/800 hp
Max current	1.5 x nominal current (duration = 60 s)
Efficiency	98 %
Thermal losses	952 W
Cos phi	1 (150 % of line current) 0.85 (75 % of line current) 0.99 (100 % of line current)
Electrical connection	A, B terminal, connection capacity: 2.5 mm <sup>2</sup> X1-1...X2-3 terminal, connection capacity: 25...300 mm <sup>2</sup>
Electrical insulation class	Class F
Net weight	162 kg

### Environment

IP degree of protection	IP20 IP55 (enclosure mounting)
Vibration resistance	2 mm peak to peak (f= 5...13.2 Hz) conforming to IEC 60068-2-6 0.7 gn (f= 13.2...150 Hz) conforming to IEC 60068-2-6

Excluding VAT, FCA Jabal Ali & amp; are subject to change – check with your local distributor.

<b>Relative humidity</b>	5...85 % without condensation
<b>Ambient air temperature for operation</b>	45...60 °C (with current derating 3 % per °C) 5...45 °C (without current derating)
<b>Ambient air temperature for storage</b>	-25...55 °C storage in original packaging -25...65 °C during transport
<b>Operating altitude</b>	<= 1000 m without current derating > 1000...4000 m with current derating 5 % per 1000 m
<b>Standards</b>	IEC 61000-3-4 IEC 61000-3-2 G5/4 engineering recommendation IEC 61000-2-2 IEC 61000-3-12 IEC 61000-2-4

## Packing Units

<b>Unit Type of Package 1</b>	PCE
<b>Number of Units in Package 1</b>	1
<b>Package 1 Height</b>	71.000 cm
<b>Package 1 Width</b>	80.000 cm
<b>Package 1 Length</b>	120.000 cm
<b>Package 1 Weight</b>	168 kg

## Contractual warranty

<b>Warranty (in months)</b>	18
-----------------------------	----



## Environmental Data

Schneider Electric aims to achieve Net Zero status by 2050 through supply chain partnerships, lower impact materials, and circularity via our ongoing “Use Better, Use Longer, Use Again” campaign to extend product lifetimes and recyclability.

[Environmental Data explained >](#)

[How we assess product sustainability >](#)

### Use Better



#### Materials and Substances

EU RoHS Directive

[Compliant](#)

### Use Longer



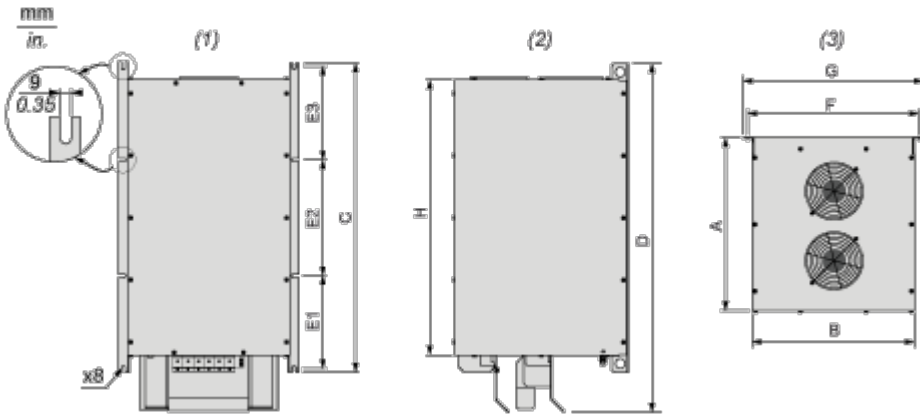
#### Lifetime extension

Repair

No

Dimensions Drawings

Dimensions



- (1) Front view
- (2) Right side view
- (3) Top view

Dimensions in mm

A	B	C	D	E1	E2	E3	F	G	H
448.5	420	800	900.06	240	300	240	443	468	713

Dimensions in in.

A	B	C	D	E1	E2	E3	F	G	H
17.66	16.54	31.50	35.43	9.45	11.81	9.45	17.44	18.43	28.07

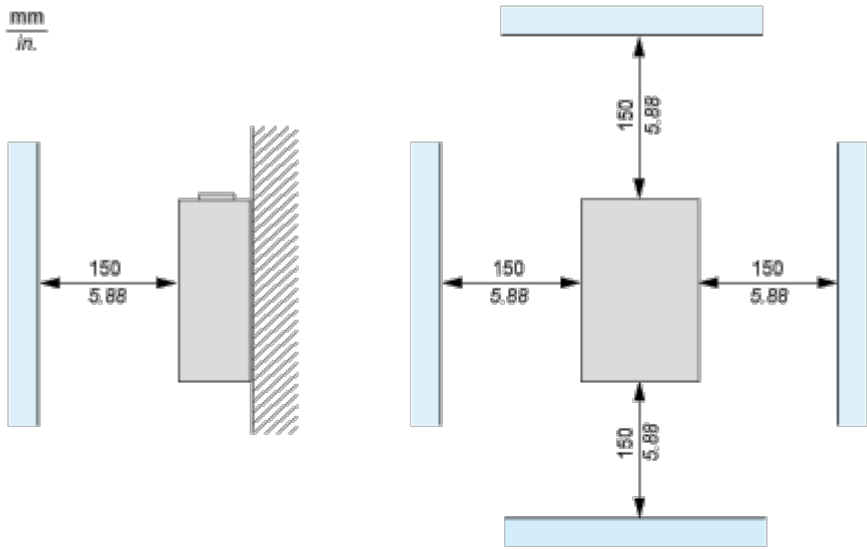
Mounting and Clearance

Mounting Recommendations

---

Vertical Mounting Only

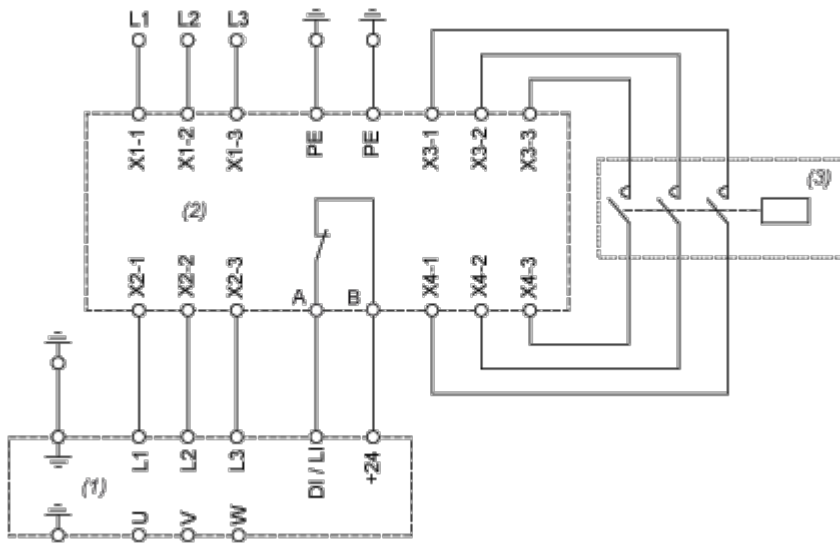
mm  
in.



(1) Filter

Connections and Schema

Recommended Schema



- (1) Drive
- (2) Filter
- (3) Optional