



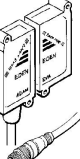
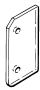





Sensors, switches and locks - Eden - Non - contact safety sensor

IMAGES	DESIGNATION	ARTICLE NUMBER	DESCRIPTION
	Adam AS-i M12	2TLA020051R6000	Adam safety sensor unit with a fixed M12 male connector, AS-i node, IP69K, yellow, 4pcs of DA 1 protection plate and 4pcs of DA 2B spacer rings are included.
	Eva AS-i	2TLA020051R8000	Eva actuator for use with Adam AS-i sensors in the Eden sensor system, IP69K, yellow, 4pcs of DA2 spacer rings are included.
	Adam DYN-Info 5 M12-5 contact	2TLA020051R5100	Adam safety sensor unit with dynamic signal, information output, fixed 5-pole M12 male connector, IP69K, yellow, 4pcs of DA 1B protection plate and 4pcs of DA 2B spacer rings are included.
	Adam DYN-Reset 5 M12-8 contact	2TLA020051R5300	Adam safety sensor unit with dynamic signal, reset with indication, fixed 5-pole M12 male connector, IP69K, yellow, 4pcs of DA 1B protection plate and 4pcs of DA 2B spacer rings are included.
	Eva General code	2TLA020046R0800	Eva actuator with general code for use with Adam DYN/OSSD sensors in the Eden sensor system, IP69K, yellow, 4pcs of DA 2B spacer rings are included.
	Eva Unique code	2TLA020046R0900	Eva actuator with unique code for use with Adam DYN/OSSD sensors in the Eden sensor system, IP69K, yellow, 4pcs of DA 2B spacer rings are included.
	Adam OSSD-Info M12-5 contact	2TLA020051R5400	Adam safety sensor unit with OSSD signals, information output, fixed 5-pole M12 male connector, IP69K, yellow, 4pcs of DA 1B protection plate and 4pcs of DA 2B spacer rings are included.
	Adam OSSD-Info M12-8 contact	2TLA020051R5700	Adam safety sensor unit with OSSD signals, information output, fixed 8-pole M12 male connector, IP69K, yellow, 4pcs of DA 1B protection plate and 4pcs of DA 2B spacer rings are included.
	Adam OSSD-Reset M12-8 contact	2TLA020051R5900	Adam safety sensor unit with OSSD signals, reset with indication, fixed 8-pole M12 male connector, IP69K, yellow, 4pcs of DA 1B protection plate and 4pcs of DA 2B spacer rings are included.
	Eva General code	2TLA020046R0800	Eva actuator with general code for use with Adam DYN/OSSD sensors in the Eden sensor system, IP69K, yellow, 4pcs of DA 2B spacer rings are included.
	Adam M12	2TLA020051R0000	Adam safety sensor unit with a fixed M12 male connector, IP67, yellow, 4pcs of DA1 protection plate and 4pcs of DA2 spacer rings are included.
	Adam 3m cable with M12	2TLA020051R0200	Adam safety sensor unit with 3m of cable (5 x 0.34 mm ² + screen) and M12, IP67, yellow, 4pcs of DA1 protection plate and 4pcs of DA2 spacer rings are included.
	Adam 10m cable with M12	2TLA020051R0400	Adam safety sensor unit with 10m of cable (5 x 0.34 mm ² + screen) and M12, IP67, yellow, 4pcs of DA1 protection plate and 4pcs of DA2 spacer rings are included.
	Adam 20m cable with M12	2TLA020051R0500	Adam safety sensor unit, encapsulated in polyurethane for harsh environments with 20m of cable (5 x 0.34 mm ² + screen) and M12, IP69K, yellow.
	Eva	2TLA020046R0000	Eva actuator for use with Adam sensors in the Eden sensor system, IP67, yellow, 4pcs of DA2 spacer rings are included.
	Adam E 10 m cable with M12	2TLA020051R0600	Adam safety sensor unit, encapsulated in polyurethane for harsh environments with 10m of cable (5 x 0.34 mm ² + screen) and M12, IP69K, yellow.
	Adam E 0.5 m cable with M12	2TLA020051R0700	Adam safety sensor unit, encapsulated in polyurethane for harsh environments with 0.5m of cable (5 x 0.34 mm ² + screen) and M12, IP69K, yellow.
	Adam E 20 m cable with M12	2TLA020051R0800	Adam safety sensor unit, encapsulated in polyurethane for harsh environments with 20m of cable(5 x 0.34 mm ² + screen) and M12, IP69K, yellow.
	Eva E	2TLA020046R0600	Eva actuator for use with Adam sensors, encapsulated in polyurethane for harsh environments, IP69K, yellow.

Accessories for Eden - Non - contact safety sensor

	DA 1 Distance plate	2TLA020053R0000	Protection plate, thickness 2.5 mm, polycarbonate. For Adam M12 and associated Eva. Not suitable for Adam E and Eva E.
	DA 1B Distance plate	2TLA020053R0700	Protection plate, thickness 2.5 mm, yellow PCB. For Adam M12 and associated Eva. Not suitable for Adam E and Eva E.
	DA 2 Distance ring	2TLA020053R0100	Mounting spacer 4.5 x 8 x 4 mm, in black polyamide, for use with Adam and Eva units.
	DA 2B Distance ring	2TLA020053R0300	Mounting spacer 4.5 x 8 x 4 mm, in black polyamide, for use with Adam and Eva units (Eden AS-i/Dynamic and OSSD).
	DA 3A Mounting converting plate for Eden E	2TLA020053R0600	Mounting converting plate for Eden E, for use with Adam and Eva units.
	Safety screw SM4 x 20	2TLA020053R4200	Special safety screw to eliminate risk of manipulation. Length adapted for Adam and Eva. 1 pcs M4 x 20 mm.
	Safety screw SM4 x 25	2TLA020053R4300	Special safety screw to eliminate risk of manipulation. Length adapted for Adam and Eva, E-version. 1 pcs M4 x 25 mm.