



Cable-operated switch with emergency stop Metal housing IP67, 3 xM20 x1.5; Slow-action contacts 1 NO+3 NC Latching according to EN ISO 13850, with rotate-to-unlatch mechanism, for wire lengths up to 75 m

product brand name	SIRIUS
product designation	cable-operated switch
product type designation	3SE7
<b>General technical data</b>	
product function EMERGENCY STOP function	Yes
product component light source	No
insulation voltage rated value	250 V
degree of pollution	class 3
surge voltage resistance rated value	2.5 kV
protection class IP	IP67
mechanical service life (operating cycles) typical	100 000
thermal current	2 A
reference code according to IEC 81346-2	S
continuous current of the DIAZED fuse link gG	2 A
Substance Prohibitance (day/month/year)	07/01/2006
SVHC substance name	Lead CAS-No. 7439-92-1
Net Weight	0.81 kg
<b>Ambient conditions</b>	
ambient temperature during operation	-25 ... +70 °C
number of NC contacts for auxiliary contacts	3
number of NO contacts for auxiliary contacts	1
operational current at AC-15	
• at 240 V rated value	6 A
operational current at DC-13	
• at 24 V rated value	2 A
• at 250 V rated value	0.25 A
<b>Enclosure</b>	
material of the enclosure	metal
material of the enclosure cover	Plastic
product component EMERGENCY STOP device	Yes
color	
• of the enclosure	black
• of the enclosure top part	grey
coating of the enclosure	painted
<b>Display</b>	
product function status display	Yes
circuit principle	Slow-action function
material of the contact	Silver
number of switching contacts safety-related	3

<b>cable entry type</b>	3x M20 x 1,5
<b>Installation/ mounting/ dimensions</b>	
<b>fastening method</b>	screw fixing
<b>height</b>	201 mm
<b>width</b>	67 mm
<b>depth</b>	83 mm

<b>Connections/ Terminals</b>	
<b>type of electrical connection</b>	screw terminal
<b>type of connectable conductor cross-sections</b>	
<ul style="list-style-type: none"> <li>• solid</li> <li>• finely stranded with core end processing</li> <li>• for AWG cables solid</li> <li>• for AWG cables stranded</li> </ul>	<ul style="list-style-type: none"> <li>2x (0.5 ... 2.5 mm<sup>2</sup>)</li> <li>2x (0.5 ... 2.5 mm<sup>2</sup>)</li> <li>2x (20 ... 14)</li> <li>2x (20 ... 14)</li> </ul>

<b>Safety related data</b>	
proportion of dangerous failures with high demand rate according to SN 31920	50 %
<b>B10 value with high demand rate according to SN 31920</b>	100 000

<b>Approvals Certificates</b>	
<b>General Product Approval</b>	<b>other</b>



[Confirmation](#)

[Confirmation](#)

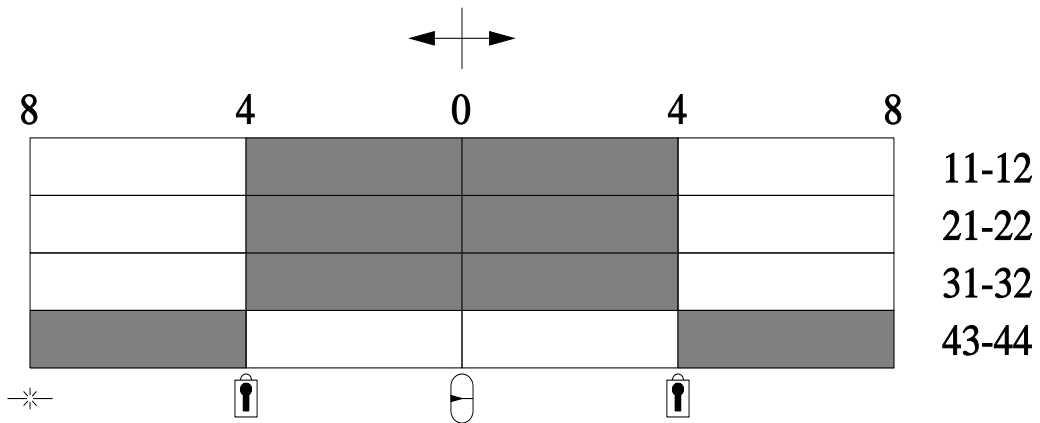
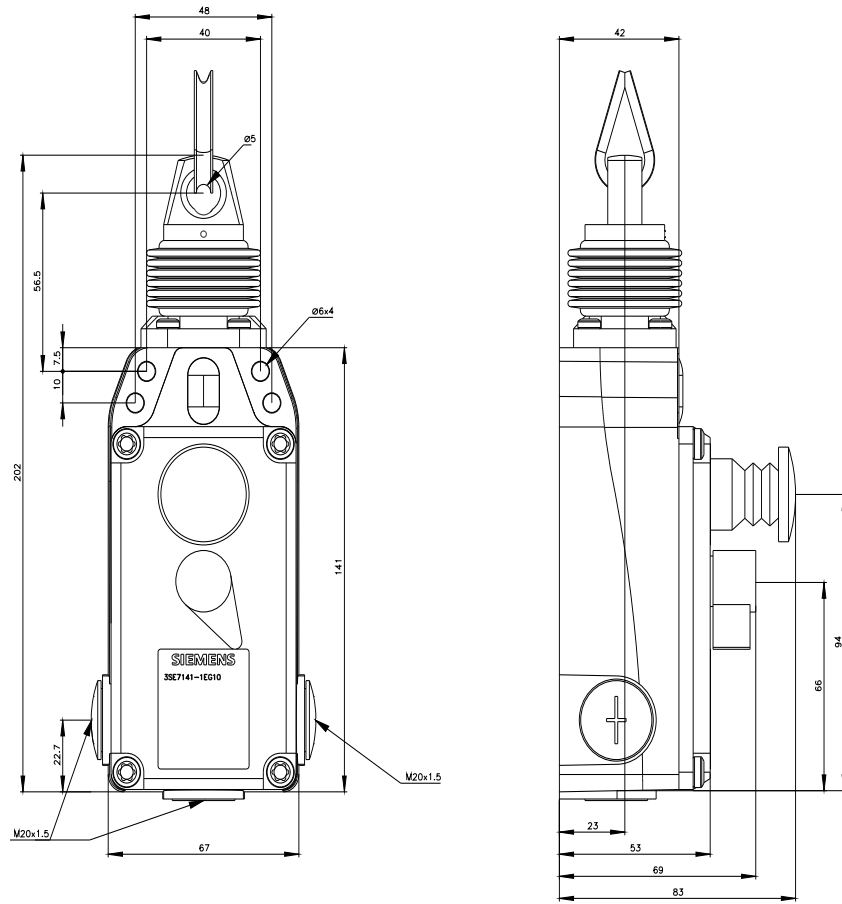
<b>other</b>	<b>Environment</b>
--------------	--------------------



[Environmental Confirmations](#)


**Further information**

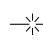
- Information on the packaging**  
<https://support.industry.siemens.com/cs/ww/en/view/109813875>
- Information for data generation and storage**  
<https://support.industry.siemens.com/cs/ww/en/view/109995012>
- Information- and Downloadcenter (Catalogs, Brochures,...)**  
<https://www.siemens.com/ic10>
- Industry Mall (Online ordering system)**  
<https://mall.industry.siemens.com/mall/en/en/Catalog/product?mlfb=3SE7141-1EG10>
- Cax online generator**  
<https://support.automation.siemens.com/WW/CAXorder/default.aspx?lang=en&mlfb=3SE7141-1EG10>
- Service&Support (Manuals, Certificates, Characteristics, FAQs,...)**  
<https://support.industry.siemens.com/cs/ww/en/ps/3SE7141-1EG10>
- Image database (product images, 2D dimension drawings, 3D models, device circuit diagrams, EPLAN macros, ...)**  
[https://www.automation.siemens.com/bilddb/cax\\_de.aspx?mlfb=3SE7141-1EG10&lang=en](https://www.automation.siemens.com/bilddb/cax_de.aspx?mlfb=3SE7141-1EG10&lang=en)



 Verriegelung / Locking

 Betätigungsrichtung / Travel

 Mittelstellung / Middle position

 Seilriss / Rope rip

 Schaltglied geschlossen / Contact element closed

 Schaltglied geöffnet / Contact element open

