

Product data sheet

Specifications



Photoelectric sensors XU, miniature, thru beam, Smax=30 m, system, NPN, cable 2 m

XUM2ANXBL2

Main

Range of product	Telemecanique Photoelectric sensors XU
Series name	General purpose single mode
Electronic sensor type	Photo-electric sensor
Sensor name	XUM
Sensor design	Miniature
Detection system	Thru beam
Material	Plastic
Type of output signal	Discrete
Supply circuit type	DC
Wiring technique	3-wire
Discrete output type	NPN
Discrete output function	1 NO or 1 NC programmable
Electrical connection	Cable
Cable length	6.56 ft (2 m)
Emission	Red LED thru beam
[Sn] nominal sensing distance	65.62 ft (20 m)

Complementary

Enclosure material	PBT
Lens material	PMMA
Maximum sensing distance	98.43 ft (30 m)
Output type	Solid state
Wire insulation material	PVC
Status LED	Supply on 1 LED green) Receiver/output 1 LED orange) Receiver/supply on 1 LED green)
[Us] rated supply voltage	12...24 V DC reverse polarity protection
Supply voltage limits	10...30 V DC
Switching capacity in mA	<= 100 mA overload and short-circuit protection
Switching frequency	<= 1000 Hz

Maximum voltage drop	<2 V
Current consumption	20 mA for transmitter 20 mA for receiver
Maximum delay first up	100 ms
Maximum delay response	0.5 ms
Maximum delay recovery	0.5 ms
Setting-up	Sensitivity by potentiometer
Depth	0.79 in (20 mm)
Height	1.30 in (33 mm)
Width	0.39 in (10 mm)
Net weight	0.26 lb(US) (0.119 kg)
Kit composition	Transmitter + receiver XUM2AKXBL2T + XUM2ANXBL2R

Environment

Product certifications	cULus CE UKCA
Ambient air temperature for operation	-22...131 °F (-30...55 °C)
Ambient air temperature for storage	-40...158 °F (-40...70 °C)
Relative humidity	35...95 %
Immunity to ambient light	40000 lux sunlight 10000 lux incandescent light
Vibration resistance	9 gn +/- 1.5 mm 10...500 Hz)for every axis IEC 60068-2-6
Shock resistance	100 gn 11 ms) for every axis IEC 60068-2-27
IP degree of protection	IP67 IEC 60529 IP65 IEC 60529

Packing Units

Unit Type of Package 1	PCE
Number of Units in Package 1	1
Package 1 Height	0.98 in (2.5 cm)
Package 1 Width	4.72 in (12 cm)
Package 1 Length	4.92 in (12.5 cm)
Package 1 Weight	3.35 oz (95 g)
Unit Type of Package 2	S04
Number of Units in Package 2	80
Package 2 Height	11.81 in (30 cm)
Package 2 Width	15.75 in (40 cm)
Package 2 Length	23.62 in (60 cm)
Package 2 Weight	20.37 lb(US) (9.238 kg)

Offer Sustainability

REACH Regulation	REACH Declaration
EU RoHS Directive	Pro-active compliance (Product out of EU RoHS legal scope) EU RoHS Declaration
Mercury free	Yes

China RoHS Regulation [China RoHS declaration](#)

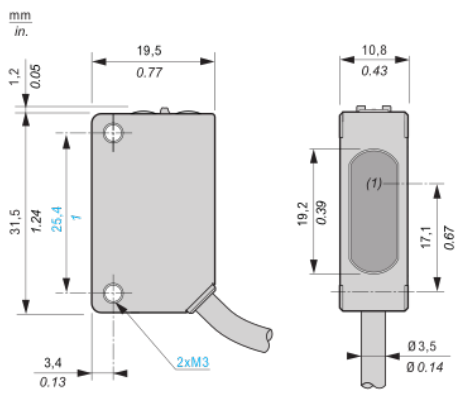
RoHS exemption information [Yes](#)

Contractual warranty

Warranty 18 months

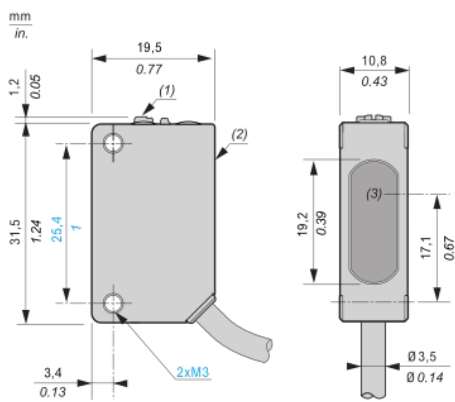
Dimensions

Transmitter



(1) : Transmission

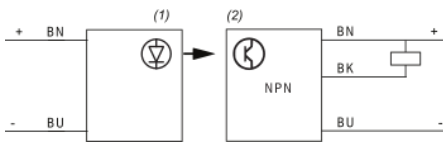
Receiver



- (1) : Setting potentiometer (sensitivity)
- (2) : Setting potentiometer (output)
- (3) : Reception

Connection and schema

Wiring diagram



BN (Brown): (+)

BK (Black): OUT/Output

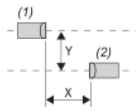
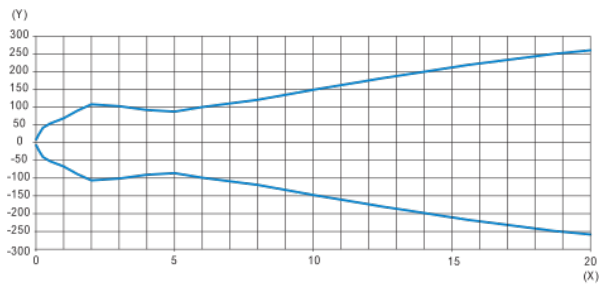
BU (Blue): (-)

(1): Transmitter

(2): Receiver

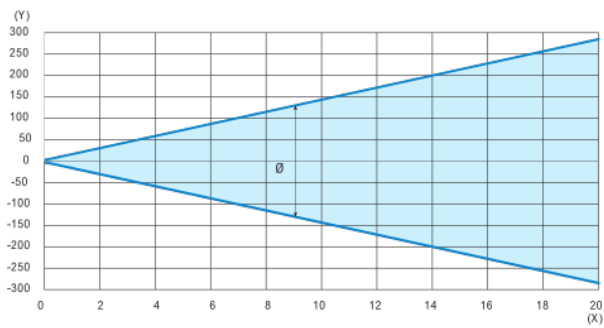
Detection curves

Lateral displacement



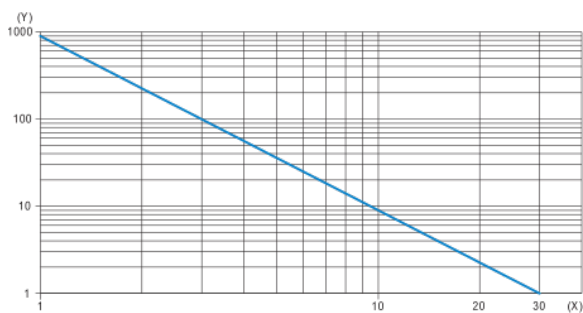
- (1):** Transmitter
- (2):** Receiver
- (X):** Sensing distance (m)
- (Y):** Lateral displacement (mm)

Light beam diameter



- (X):** Sensing distance (m)
- (Y):** Light beam diameter (mm)

Excess gain



- (X):** Sensing distance (m)
- (Y):** Excess gain

Recommended replacement(s)