

# Product datasheet

Specifications



## Multi touch screen, Harmony iPC, S Panel PC Performance HDD W19 DC Windows 7

HMIPSPH952D1701

⚠ Discontinued on: 23 May 2023

⚠ Discontinued

### Main

Range of product	Harmony iPC
Product or component type	Multi-touch screen
Processor name	Intel Core i3 4010U at 1.7 GHz
Chipset type	Intel QM87
Free slots	1 Internal SATA HDD/SSD 1 CFast
Display size	18.5 inch
Display colour	16777216 colors
Luminance	300 cd/m <sup>2</sup>
Pixel resolution	4096 x 4096
Video controller type	Intel HD Graphics 4400
Operating system	Windows 7 64 bits Ultimate SP1 multi-language
Software package	EcoStruxure secure connect advisor annual subscription cyber security license not included EcoStruxure Operator Terminal Expert run time HMI license not included EcoStruxure Machine SCADA Expert run time HMI/SCADA on configured offer only EcoStruxure augmented operator advisor server augmented operator license not included

### Complementary

Number of points	5
Terminal type	Touchscreen display
Memory type	8 GB RAM DDR3 internal
Data storage equipment	500 GB back side enterprise hard disk
Aspect ratio	16:9
Display type	LED Colour TFT LCD
Display resolution	1366 x 768 pixels WXGA
Backlight lifespan	50000 hours
View angle horizontal x vertical	150 x 140°
Touch panel	Projected capacitive technology (PCT)
Type of cooling	Passive Fanless
Watchdog timer	1...255 ms

<b>Electrical connection</b>	Connector, connector type: SMA, 3 ways
<b>Number of slots</b>	1 mini PCI Express full-size
<b>[Us] rated supply voltage</b>	24 V DC +/- 20 % 100...240 V AC with additional adaptor HMIYPSPMAC1
<b>Power consumption in W</b>	18...60 W
<b>Mechanical robustness</b>	Hardness anti-scratch 7H
<b>Local signalling</b>	Buzzer LED (green) for on LED (orange) for stand-by
<b>Function available</b>	Operate with water on screen
<b>Width</b>	488 mm
<b>Height</b>	309 mm
<b>Depth</b>	56.7 mm
<b>Cut-out dimensions</b>	479.3 (+/- 1) x 300.3 (+/- 0.7)
<b>Product weight</b>	7 kg
<b>Display size</b>	19" wide multi-touch
<b>Main type</b>	Performance

## Environment

<b>IP degree of protection</b>	IP66 front panel:
<b>Product certifications</b>	C-Tick CE AS/NZS EAC RCM CCC
<b>Standards</b>	CSA C22.2 No 60950 CISPR 11 FCC part 15 class A UL 60950 IEC 61000-6-4 IEC 61000-6-2 IEC 60950
<b>Directives</b>	2004/108/EC - electromagnetic compatibility 2006/95/EC - low voltage directive
<b>Pollution degree</b>	2
<b>Ambient air temperature for operation</b>	0...55 °C SSD 0...55 °C Cfast card 0...45 °C HDD 0...45 °C Mini PCIe
<b>Ambient air temperature for storage</b>	-20...60 °C
<b>Relative humidity</b>	10...95 % non-condensing
<b>Operating altitude</b>	2000
<b>Vibration resistance</b>	1 gn (f = 5...500 Hz)HDD 2 gn (f = 5...500 Hz)SSD 2 gn (f = 5...500 Hz)Cfast card

## Packing Units

<b>Unit Type of Package 1</b>	PCE
<b>Number of Units in Package 1</b>	1
<b>Package 1 Height</b>	49.5 cm

---

Package 1 Width	16.0 cm
Package 1 Length	68.5 cm
Package 1 Weight	10.0 kg

---

## Contractual warranty

---

Warranty (in months)	18
----------------------	----



## Environmental Data

Schneider Electric aims to achieve Net Zero status by 2050 through supply chain partnerships, lower impact materials, and circularity via our ongoing “Use Better, Use Longer, Use Again” campaign to extend product lifetimes and recyclability.

[Environmental Data explained >](#)

[How we assess product sustainability >](#)

### Environmental footprint

Total lifecycle Carbon footprint	1 884 kg CO2 eq.
Carbon footprint of the manufacturing phase [A1 to A3]	645 kg CO2 eq.
Carbon footprint of the distribution phase [A4]	2 kg CO2 eq.
Carbon footprint of the installation phase [A5]	0.9 kg CO2 eq.
Carbon footprint of the use phase [B2, B3, B4, B6]	1 225 kg CO2 eq.
Carbon footprint of the end-of-life phase [C1 to C4]	11 kg CO2 eq.
Environmental Disclosure	<a href="#">Product Environmental Profile</a>

### Use Better

#### Materials and Substances

F-gas free	Only air and vacuum used for insulation / breaking, no F-gas including SF6
Packaging made with recycled cardboard	Yes
Packaging without single use plastic	No
SCIP Number	3fe7d895-f8a3-452a-ad75-1d17e7e6e6eb
EU RoHS Directive	<a href="#">Compliant By Exemption</a>
REACH Regulation	<a href="#">Reference contains Substances of Very High Concern above the threshold</a>
Halogen-free status	Product contains halogen above thresholds
PVC free	No
Silicone-free	No

### Use Longer

#### Lifetime extension

Repair	No
--------	----

### Use Again

#### Repack and remanufacture

Recyclability potential, in %	48
End of life manual availability	<a href="#">End of Life Information</a>
Removable battery	User replaceable
Take-back	No

WEEE Label

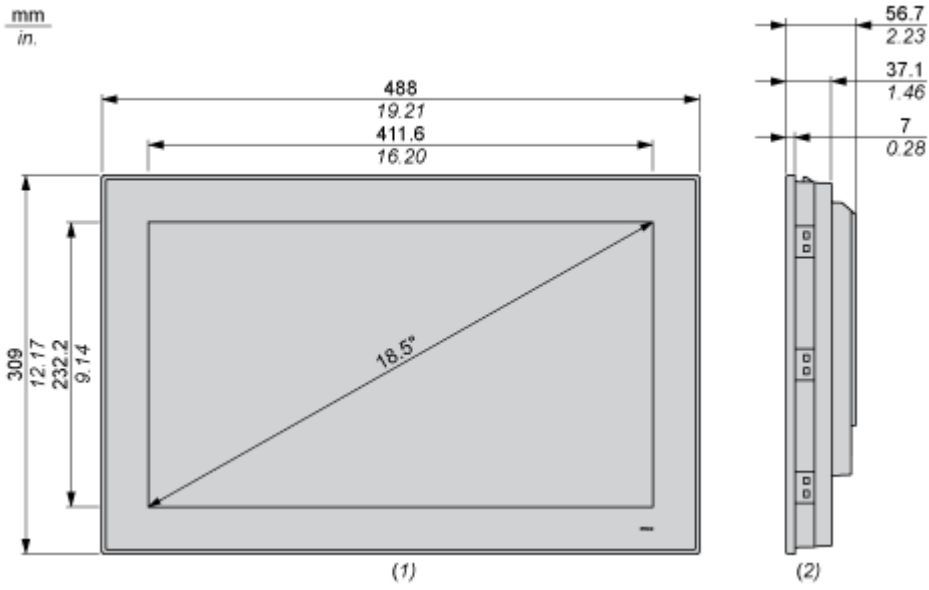


The product must be disposed on European Union markets following specific waste collection and never end up in rubbish bins

---

Dimensions Drawings

Dimensions

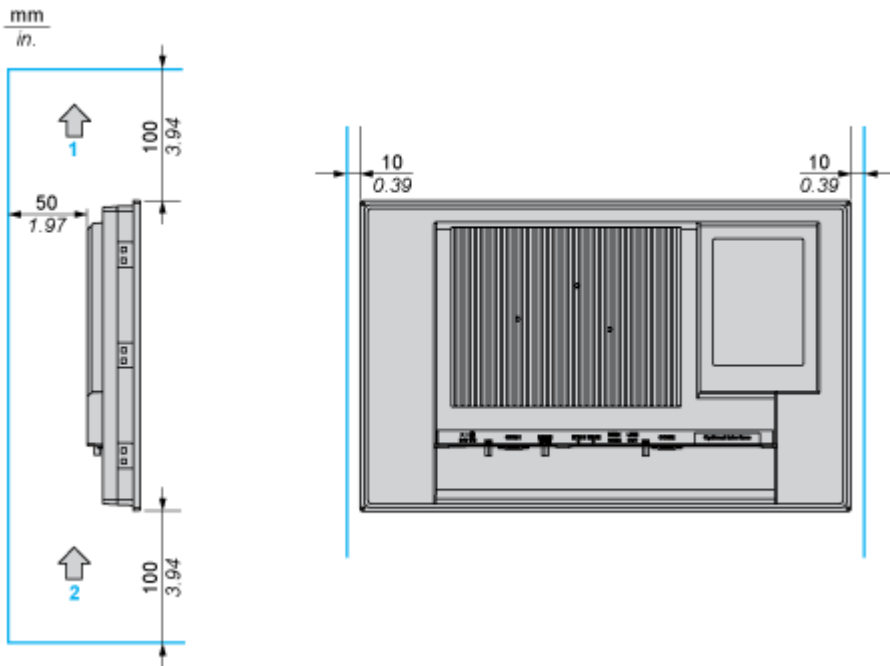


- (1) Front view
- (2) Right view

Mounting and Clearance

Spacing Requirements

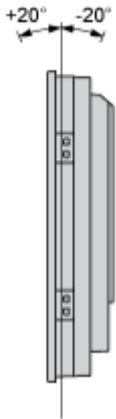
---



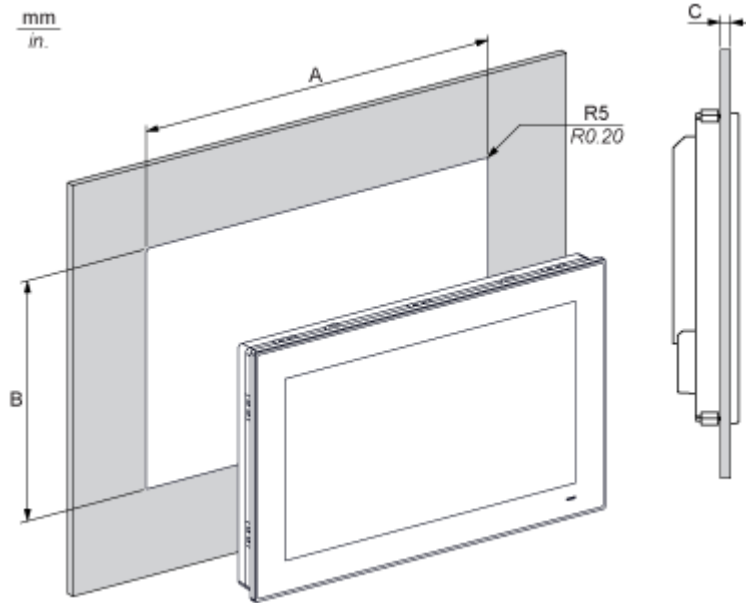
- 1 : Air out
- 2 : Air in

Mounting Orientation

---



Panel Cut Dimensions



A		B		C		R	
mm	in.	mm	in.	mm	in.	mm	in.
479.3	18.87	300.3	11.82	2...6	0.08...0.23	5	0.20