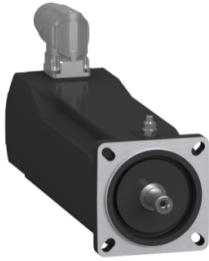


Product datasheet

Specifications



SH3 servomotor, 70mm, 2 stacks,
smooth Shaft, Singleturn DSL 18bit,
Brake, OneMotorCable angular
M23, IP54/65

SH30702P0AF4000

Main

| | |
|---------------------------|-------------|
| Range compatibility | PacDrive 3 |
| Device short name | SH3 |
| Product or component type | Servo motor |

Complementary

| | |
|---------------------------|----------------------------------------------------------------------------------------------------------------|
| Maximum mechanical speed | 8000 rpm |
| [Us] rated supply voltage | 115...480 V |
| Network number of phases | Three phase |
| Continuous stall current | 2.9 A |
| Continuous stall torque | 2.04 N.m at 115...480 V three phase |
| Continuous power | 1130 W |
| Peak stall torque | 7.6 N.m at 115...480 V three phase |
| Nominal output power | 610 W at 230 V single phase 1130 W at 400 V three phase 1130 W at 480 V three phase |
| Nominal torque | 2.1 N.m at 230 V single phase 1.8 N.m at 400 V three phase 1.8 N.m at 480 V three phase |
| Nominal speed | 3000 rpm at 230 V single phase 6000 rpm at 400 V three phase 7200 rpm at 480 V three phase |
| Maximum current Irms | 11.8 A |
| Shaft end | Smooth shaft |
| Shaft diameter | 11 mm |
| Shaft length | 23 mm |
| IP degree of protection | IP65 motor: conforming to IEC 60034-5 IP54 shaft bushing without shaft seal ring: conforming to IEC 60034-5 |
| Encoder type | Absolute single turn Hiperface DSL |
| Speed feedback resolution | 262144 points/turn |
| Holding brake | With |
| Holding torque | 3 N.m |
| Mounting support | International standard flange |
| Motor flange size | 70 mm |
| Electrical connection | Rotatable right angled connector |
| Torque constant | 0.7 N.m/A at 120 °C |

| | |
|---------------------------------------|-----------------------------------------------------------------------|
| Back emf constant | 48 V/krpm at 20 °C |
| Number of motor poles | 3.0 |
| Rotor inertia | 0.482 kg.cm ² |
| Stator resistance | 4.2 Ohm |
| Stator inductance | 10.65 mH |
| Maximum radial force Fr | 990 N at 1000 rpm |
| Maximum axial force Fa | 160 N |
| Brake pull-in power | 7 W |
| Type of cooling | Natural convection |
| Length | 213 mm |
| Centring collar diameter | 60 mm |
| Centring collar depth | 2.5 mm |
| Number of mounting holes | 4 |
| Mounting holes diameter | 5.5 mm |
| Circle diameter of the mounting holes | 82 mm |
| Product weight | 3.2 kg |
| Sizing reference | SH30702P |
| Network number of phases | 3 |
| Temperature copper hot | 130 °C |
| Electrical connection | quicklock rotatable right angled connector |
| Output current 3s peak | 11.8 A |
| Inertia | 0.072 kg.cm ² of brake 0.41 kg.cm ² of motor |

Packing Units

| | |
|------------------------------|---------|
| Unit Type of Package 1 | PCE |
| Number of Units in Package 1 | 1 |
| Package 1 Height | 11.5 cm |
| Package 1 Width | 19.0 cm |
| Package 1 Length | 39.5 cm |
| Package 1 Weight | 3.6 kg |

Contractual warranty

| | |
|----------------------|----|
| Warranty (in months) | 18 |
|----------------------|----|



Environmental Data

Schneider Electric aims to achieve Net Zero status by 2050 through supply chain partnerships, lower impact materials, and circularity via our ongoing “Use Better, Use Longer, Use Again” campaign to extend product lifetimes and recyclability.

[Environmental Data explained >](#)

[How we assess product sustainability >](#)



Environmental footprint

| | |
|--------------------------------------------------------|------------------|
| Total lifecycle Carbon footprint | 2 676 kg CO2 eq. |
| Carbon footprint of the manufacturing phase [A1 to A3] | 16 kg CO2 eq. |
| Carbon footprint of the distribution phase [A4] | 0.5 kg CO2 eq. |
| Carbon footprint of the installation phase [A5] | 0 kg CO2 eq. |
| Carbon footprint of the use phase [B2, B3, B4, B6] | 2 659 kg CO2 eq. |
| Carbon footprint of the end-of-life phase [C1 to C4] | 0.3 kg CO2 eq. |

Use Better



Materials and Substances

| | |
|----------------------------------------|----------------------------------------------------------------------------------------|
| Packaging made with recycled cardboard | Yes |
| Packaging without single use plastic | No |
| SCIP Number | Ead0850d-370a-47c5-8cf7-1d93c2c974a4 |
| EU RoHS Directive | Compliant By Exemption |
| REACH Regulation | Reference contains Substances of Very High Concern above the threshold |
| PVC free | Yes |

Use Longer



Lifetime extension

| | |
|--------|----|
| Repair | No |
|--------|----|

Use Again

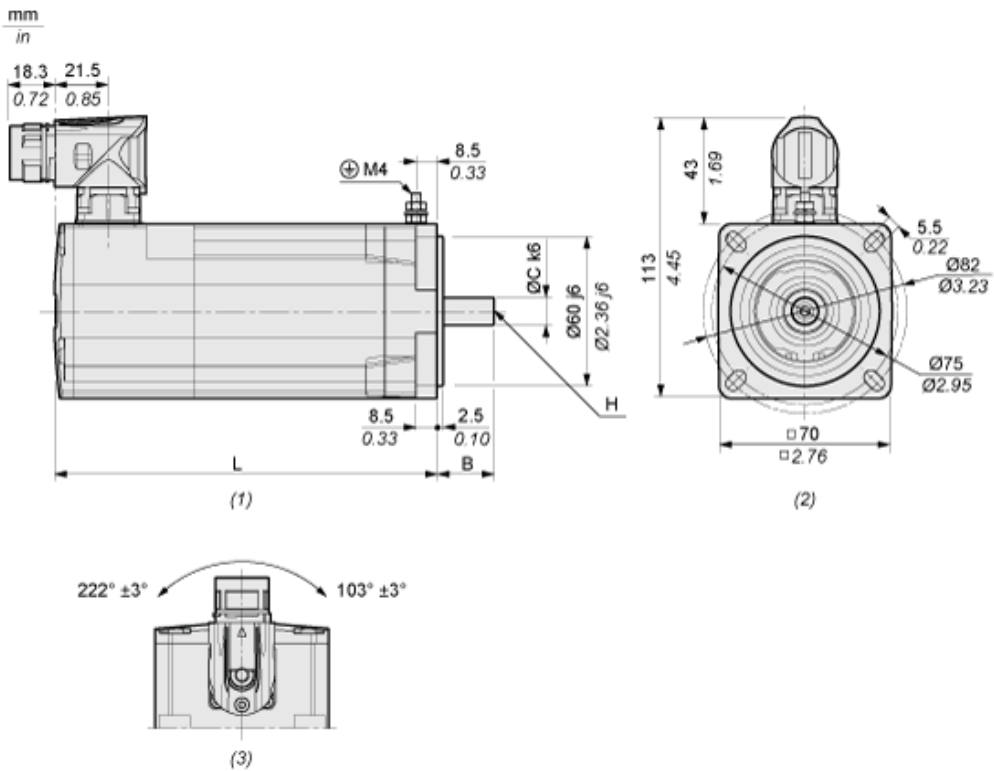


Repack and remanufacture

| | |
|---------------------------------|------------------------------------------|
| End of life manual availability | No need of specific recycling operations |
| Take-back | Yes |

Dimensions Drawings

Dimensions



- (1) : Side view
- (2) : Mounting
- (3) : Rotating area

| Characteristic | Unit | Value |
|-----------------------------|---------|--------------|
| L Length with holding brake | mm (in) | 213 (8.39) |
| B Shaft length | mm (in) | 23 (0.91) |
| C Shaft diameter | mm (in) | 11 (0.43) |
| H Female thread of shaft | | DIN 332-D M4 |