

# Product data sheet

## Characteristics

# XUM2ANCNM8

photo-electric sensor - XUM - thru beam - Sn 15m  
- 12..24VDC - M8

Product availability : Non-Stock - Not normally stocked in distribution facility

Price\* : 93.10 USD



### Main

Range of product	OsiSense XU
Series name	General purpose single mode
Electronic sensor type	Photo-electric sensor
Sensor name	XUM
Sensor design	Miniature
Detection system	Thru beam
Material	Plastic
Type of output signal	Discrete
Supply circuit type	DC
Wiring technique	3-wire
Discrete output type	NPN
Discrete output function	1 NO or 1 NC programmable
Electrical connection	1 male connector M8, 4 pins
Product specific application	-
Emission	Red thru beam
[Sn] nominal sensing distance	49.21 ft (15 m) thru beam

### Complementary

Enclosure material	PBT
Lens material	PMMA
Output type	Solid state
Wire insulation material	PVC
Status LED	1 LED (green) instability and receiver/supply on 1 LED (orange) transmitter/supply on 1 LED (red) receiver/indicator light
[Us] rated supply voltage	12...24 V DC
Switching capacity in mA	<= 100 mA (overload and short-circuit protection)
Switching frequency	<= 1000 Hz
Voltage drop	<= 3 V (closed state)
Current consumption	11...13 mA (no-load)

Delay first up	< 100 ms
Delay response	0.5 ms
Delay recovery	0.5 ms
Setting-up	Sensitivity adjustment by potentiometer
Depth	0.79 in (20 mm)
Height	1.69 in (43 mm)
Width	0.43 in (11 mm)
Product weight	0.26 lb(US) (0.119 kg)
Kit composition	Transmitter + receiver XUM2AKCNM8T + XUM2APCNM8R

## Environment

Product certifications	CE CTick cULus
Ambient air temperature for operation	-22...140 °F (-30...60 °C)
Ambient air temperature for storage	-40...158 °F (-40...70 °C)
Vibration resistance	7 gn, amplitude = +/- 1.5 mm (f = 10...55 Hz) conforming to IEC 60068-2-6
Shock resistance	30 gn (duration = 11 ms) conforming to IEC 60068-2-27
IP degree of protection	IP65 conforming to IEC 60529 IP67 conforming to IEC 60529

## Ordering and shipping details

Category	22415 - SENSORS, PHOTOELECTRIC, BASIC
Discount Schedule	DS2
GTIN	00785901839057
Nbr. of units in pkg.	1
Package weight(Lbs)	4.0000000000000001E-2
Returnability	N
Country of origin	TH

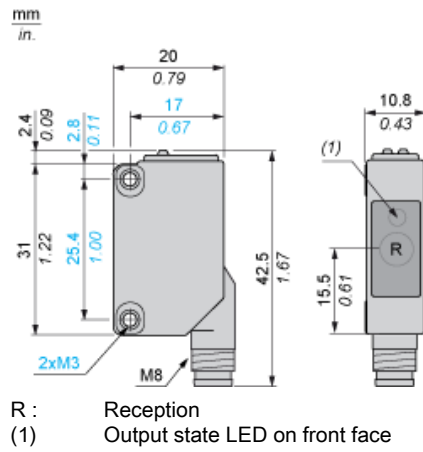
## Offer Sustainability

RoHS (date code: YYWW)	Compliant - since 1152 - Schneider Electric declaration of conformity <a href="#">Schneider Electric declaration of conformity</a>
California proposition 65	WARNING: This product can expose you to chemicals including:
----- Substance 1	Diisononyl phthalate (DINP), which is known to the State of California to cause cancer, and
----- Substance 2	Di-isodecyl phthalate (DIDP), which is known to the State of California to cause birth defects or other reproductive harm.
----- More information	For more information go to <a href="http://www.p65warnings.ca.gov">www.p65warnings.ca.gov</a>

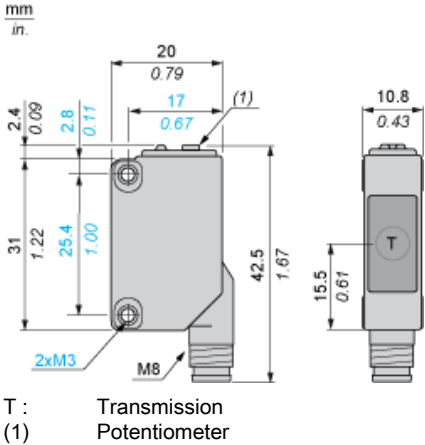
## Contractual warranty

Warranty period	18 months
-----------------	-----------

Receiver's Dimensions



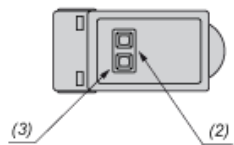
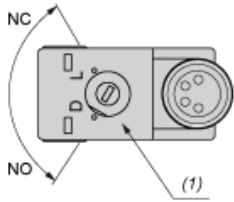
Transmitter's Dimensions



---

## Mounting and Clearance

---

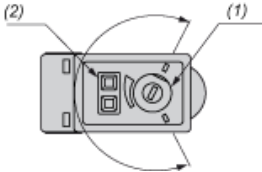
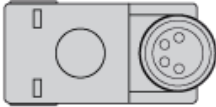


- (1) Configuration switch
- (2) Output state LED
- (3) Stability and power on LED

---

Mounting and Clearance

---



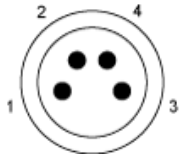
- (1) Adjustment potentiometer
- (2) Power on LED

---

## Connections and Schemes

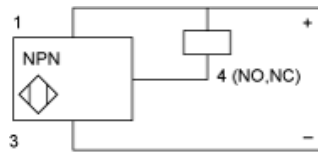
---

### M8 Connector

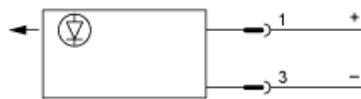


- 1 : (+)
- 3 : (-)
- 4 : OUT/Output

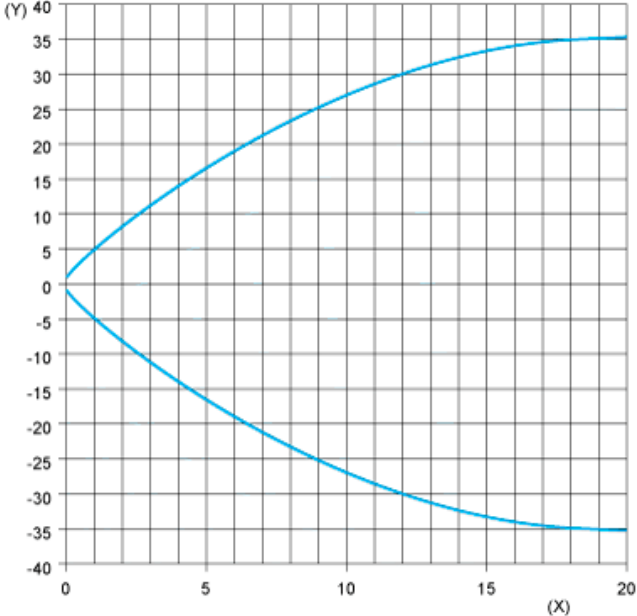
### NPN



### Transmitter DC



Detection Curves



(Y) Parallel movement (cm)  
(X) Distance (m)