

Product datasheet

Specifications



sinus filter - 200 A - for Altivar variable speed drive

VW3A5207

⚠ Discontinued on: Dec 31, 2023

⚠ End-of-service on: Mar 26, 2024

⚠ Discontinued

Main

| | |
|------------------------------|--|
| Product or component type | Sinus filter |
| Range compatibility | Altivar 61Q Altivar 61 Altivar 71 Altivar 71Q |
| Product specific application | Output filter |
| [In] rated current | 200 A |
| Thermal losses | 945 W at 100 Hz |
| Product compatibility | ATV61HC11N4 ATV61HD90N4 ATV61QC11N4 ATV61WD90N4 ATV61WD90N4C ATV71HC11N4 ATV71HD90N4 ATV71QC11N4 ATV71QD90N4 |
| Switching frequency | 4...8 kHz |
| Maximum output frequency | 100 Hz |
| maximum permissible voltage | 500 V AC |

Complementary

| | |
|------------------------------------|---|
| Electrical connection | Terminal 95 mm ² / AWG 4/0, 20 N.m |
| Maximum voltage drop at rated load | 10 % |
| Max current | 1.5 x nominal current (duration = 60 s) |
| Product weight | 130 kg |

Environment

| | |
|------------------------------|---|
| IP degree of protection | IP00 |
| Environmental characteristic | 3B1 conforming to IEC 721-3-3 3C2 conforming to IEC 721-3-3 3S1 conforming to IEC 721-3-3 |
| Pollution degree | 2 conforming to EN 50178 |
| Vibration resistance | 1 gn (f= 13...200 Hz) conforming to IEC 60068-2 1.5 mm peak to peak (f= 3...13 Hz) conforming to IEC 60068-2 |
| Shock resistance | 15 gn for 11 ms conforming to IEC 60068-2-27 |
| Relative humidity | 0...95 % |

| | |
|--|---|
| Ambient air temperature for operation | 40...50 °C (with current derating 1.5 % per °C) -10...40 °C (without current derating) |
| Ambient air temperature for storage | -40...65 °C |
| Operating altitude | <= 1000 m without current derating 1000...3000 m with current derating 1 % per 100 m |

Packing Units

| | |
|-------------------------------------|----------|
| Unit Type of Package 1 | PCE |
| Number of Units in Package 1 | 1 |
| Package 1 Height | 77.0 cm |
| Package 1 Width | 35.0 cm |
| Package 1 Length | 54.0 cm |
| Package 1 Weight | 135.0 kg |
| Unit Type of Package 2 | P06 |
| Number of Units in Package 2 | 1 |
| Package 2 Height | 90.0 cm |
| Package 2 Width | 80.0 cm |
| Package 2 Length | 60.0 cm |
| Package 2 Weight | 143.5 kg |

Contractual warranty

| | |
|-----------------------------|----|
| Warranty (in months) | 18 |
|-----------------------------|----|



Environmental Data

Schneider Electric aims to achieve Net Zero status by 2050 through supply chain partnerships, lower impact materials, and circularity via our ongoing “Use Better, Use Longer, Use Again” campaign to extend product lifetimes and recyclability.

[Environmental Data explained >](#)

[How we assess product sustainability >](#)

Use Better



Materials and Substances

EU RoHS Directive

[Compliant](#)

Use Longer



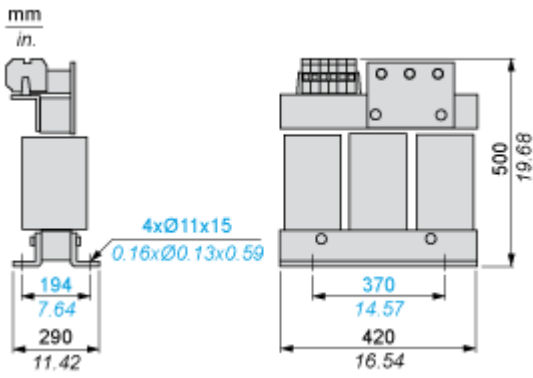
Lifetime extension

Repair

No

Dimensions Drawings

Dimensions



Mounting and Clearance

Mounting Recommendations

