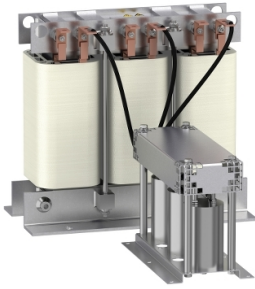


Product datasheet

Specifications



Sinus filter - 115 A - for Altivar Process variable speed drives

VW3A5219

Main

| | |
|------------------------------|--|
| Product or component type | Sinus filter |
| Range compatibility | Altivar Process ATV600 Altivar Process ATV900 |
| Product specific application | Output filter |
| [In] rated current | 115 A |
| Thermal losses | 850 W, 115 °C |
| Product compatibility | ATV630 variable speed drive wall mount - 75 kW, 500...690 V three phase ATV630 variable speed drive wall mount - 90 kW, 500...690 V three phase ATV930 variable speed drive wall mount - 75 kW, 500...690 V three phase ATV930 variable speed drive wall mount - 90 kW, 500...690 V three phase ATV630 variable speed drive wall mount, 100 hp, 600 V three phase ATV930 variable speed drive wall mount, 100 hp, 600 V three phase |
| Switching frequency | 2 kHz |
| Maximum output frequency | 70 Hz |
| maximum permissible voltage | 690 V AC |

Complementary

| | |
|-----------------------|---|
| Electrical connection | Terminal |
| Max current | 1.5 x nominal current (duration = 60 s) |
| Product weight | 106 kg |

Environment

| | |
|---------------------------------------|---|
| IP degree of protection | IP00 |
| Pollution degree | 2 conforming to EN 50178 |
| Vibration resistance | 1 gn (f= 13...200 Hz) conforming to IEC 60068-2 1.5 mm peak to peak (f= 3...13 Hz) conforming to IEC 60068-2 |
| Shock resistance | 15 gn for 11 ms conforming to IEC 60068-2-27 |
| Relative humidity | 0...95 % |
| Ambient air temperature for operation | -10...45 °C |
| Ambient air temperature for storage | -40...65 °C |
| Operating altitude | <= 1000 m without current derating 1000...3000 m with current derating 1 % per 100 m |
| Standards | UL 508 |

Packing Units

| | |
|------------------------|-----|
| Unit Type of Package 1 | PCE |
|------------------------|-----|

| | |
|-------------------------------------|------------|
| Number of Units in Package 1 | 1 |
| Package 1 Height | 75.800 cm |
| Package 1 Width | 62.000 cm |
| Package 1 Length | 72.000 cm |
| Package 1 Weight | 136.000 kg |

Contractual warranty

| | |
|-----------------------------|----|
| Warranty (in months) | 18 |
|-----------------------------|----|



Environmental Data

Schneider Electric aims to achieve Net Zero status by 2050 through supply chain partnerships, lower impact materials, and circularity via our ongoing “Use Better, Use Longer, Use Again” campaign to extend product lifetimes and recyclability.

[Environmental Data explained >](#)

[How we assess product sustainability >](#)

Use Better



Materials and Substances

| | |
|--|---|
| Packaging made with recycled cardboard | No |
| Packaging without single use plastic | No |
| EU RoHS Directive | Compliant |
| REACH Regulation | Free of Substances of Very High Concern above the threshold |

Use Longer



Lifetime extension

| | |
|--------|----|
| Repair | No |
|--------|----|

Use Again



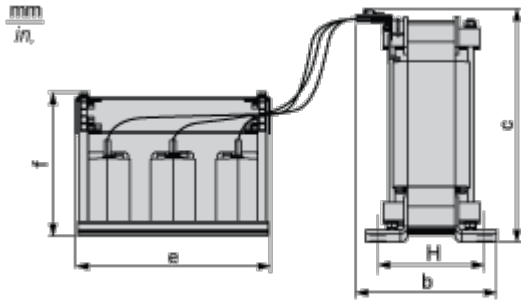
Repack and remanufacture

| | |
|-----------|----|
| Take-back | No |
|-----------|----|

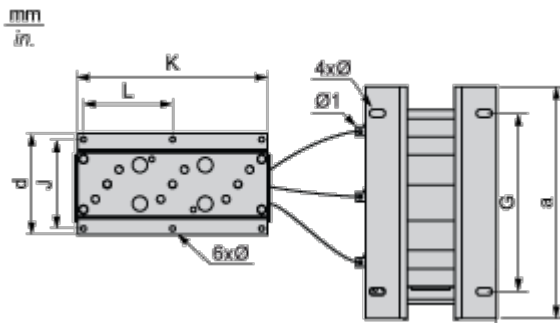
Dimensions Drawings

Dimensions

Front View



Top View



Dimensions in mm

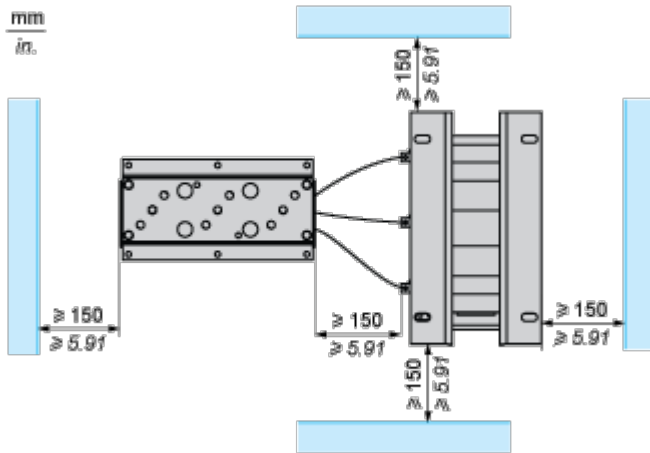
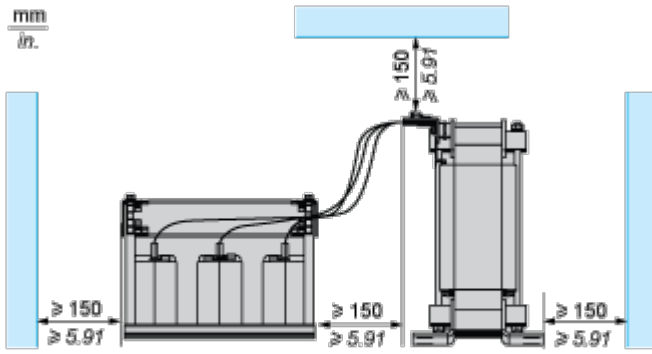
| a | b | c | G | H | 4Ø | Ø1 | d | e | f | J | K | L | 6Ø |
|-----|-----|-----|-----|-----|---------|----|-----|-----|-----|-----|-----|-----|----|
| 465 | 275 | 425 | 430 | 180 | 13 x 27 | 9 | 170 | 240 | 330 | 150 | 300 | 150 | 9 |

Dimensions in in.

| a | b | c | G | H | 4Ø | Ø1 | d | e | f | J | K | L | 6Ø |
|-------|-------|-------|-------|------|-------------|------|------|------|-------|------|-------|------|------|
| 18.30 | 10.83 | 16.73 | 16.93 | 7.09 | 0.51 x 1.06 | 0.35 | 6.69 | 9.45 | 12.99 | 5.91 | 11.81 | 5.91 | 0.35 |

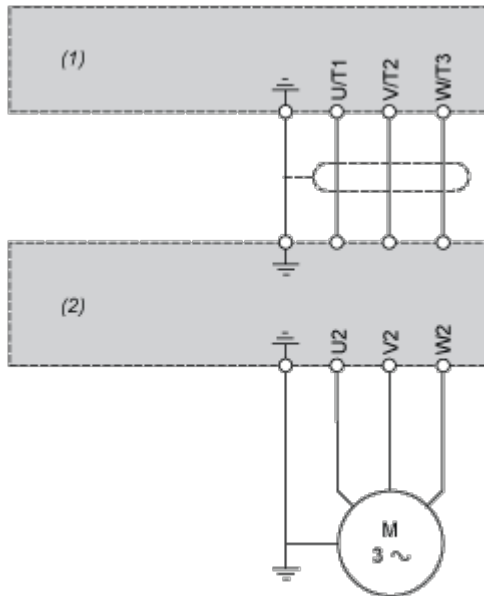
Mounting and Clearance

Mounting Recommendations



Connections and Schema

Recommended Schema



- (1) Drive
- (2) Filter