

# Product datasheet

Specifications



circuit breaker, EasyPact Vigi  
CVS400N, 50kA at 415VAC, 400A  
rating ETS2.3 electronic trip unit,  
MB Vigi module, 3P3d

LV540524

! Discontinued

## Main

Range	EasyPact
Range of product	EasyPact CVS400...630
Product name	EasyPact CVS
Device short name	Vigi CVS400N
Product or component type	Earth leakage circuit breaker
Device application	Distribution
Poles description	3P
Protected poles description	3D
Earth leakage protection (Vigi add on)	With
[In] rated current	400 A at 40 °C
Network type	AC
Utilisation category	Category A
[Icu] Breaking capacity	70 kA Icu at 220/240 V AC 50/60 Hz conforming to IEC 60947-2 50 kA Icu at 380/415 V AC 50/60 Hz conforming to IEC 60947-2 42 kA Icu at 440 V AC 50/60 Hz conforming to IEC 60947-2
Trip unit name	ETS 2.3
Trip unit technology	Electronic
Trip unit rating	400 A at 40 °C
Protection type	Overload protection (long time) Instantaneous short-circuit protection Short time short-circuit protection

## Complementary

[Uimp] rated impulse withstand voltage	8 kV conforming to EN/IEC 60947-2
Network frequency	50/60 Hz
Breaking capacity code	N
[Ics] rated service breaking capacity	70 kA at 220/240 V AC 50/60 Hz conforming to IEC 60947-2 50 kA at 380/415 V AC 50/60 Hz conforming to IEC 60947-2 32 kA at 440 V AC 50/60 Hz conforming to IEC 60947-2
Mechanical durability	15000 cycles
Electrical durability	6000 cycles 415 V In conforming to IEC 60947-2
Trip unit protection functions	LSol
Control type	Toggle

Long time pick-up adjustment type I <sub>r</sub>	Adjustable 9 settings
Long time pick-up adjustment range	160...400 A
Long time delay adjustment type	Fixed
[t <sub>r</sub> ] long-time delay adjustment range	5.5 s at 7.2 x I <sub>r</sub> 8 s at 6 x I <sub>r</sub> 200 s at 1.5 x I <sub>r</sub>
Thermal memory	Yes
Short-time pick-up adjustment type I <sub>sd</sub>	Adjustable 9 settings
[I <sub>sd</sub> ] short-time pick-up adjustment range	1.5...10 x I <sub>r</sub>
Short-time delay adjustment type	Fixed
Instantaneous pick-up adjustment type I <sub>i</sub>	Fixed
Instantaneous pick-up adjustment range	11 x I <sub>n</sub>
Earth-leakage add-on module name	MB
Earth-leakage protection class	Class A Class AC
Residual earth-leakage sensitivity adjustment type	Adjustable 5 settings
[I <sub>Δn</sub> ] residual earth-leakage sensitive adjustment	0.3 A 1 A 3 A 10 A 30 A
Residual earth-leakage time delay adjustment type	Adjustable 4 settings
[Δt] residual earth-leakage time delay adjustment	0 ms 40 ms 60 ms 140 ms 150 ms 300 ms 300 ms 800 ms
Contact position indicator	Yes
Mounting support	Backplate
Mounting mode	Fixed
Upside connection	Front
Downside connection	Front
Connections - terminals	Screw connection
Connection pitch	45 mm
Compatibility code	CVS400
Width	140 mm
Depth	110 mm
Height	355 mm
Product weight	4.7 kg

## Environment

Standards	EN 60947-2 IEC 60947-2
Product certifications	GOST IEC
Electrical shock protection class	Class II

<b>Pollution degree</b>	3 conforming to IEC 60664-1
<b>IP degree of protection</b>	IP40
<b>Ambient air temperature for operation</b>	-25...70 °C
<b>Ambient air temperature for storage</b>	-50...85 °C

## Packing Units

<b>Unit Type of Package 1</b>	PCE
<b>Number of Units in Package 1</b>	1
<b>Package 1 Height</b>	24.4 cm
<b>Package 1 Width</b>	16.0 cm
<b>Package 1 Length</b>	30.0 cm
<b>Package 1 Weight</b>	6.039 kg



## Environmental Data

Schneider Electric aims to achieve Net Zero status by 2050 through supply chain partnerships, lower impact materials, and circularity via our ongoing “Use Better, Use Longer, Use Again” campaign to extend product lifetimes and recyclability.

[Environmental Data explained >](#)

[How we assess product sustainability >](#)



### Environmental footprint

Total lifecycle Carbon footprint	965 kg CO2 eq.
Carbon footprint of the manufacturing phase [A1 to A3]	48 kg CO2 eq.
Carbon footprint of the distribution phase [A4]	1 kg CO2 eq.
Carbon footprint of the installation phase [A5]	1 kg CO2 eq.
Carbon footprint of the use phase [B2, B3, B4, B6]	899 kg CO2 eq.
Carbon footprint of the end-of-life phase [C1 to C4]	15 kg CO2 eq.
Environmental Disclosure	<a href="#">Product Environmental Profile</a>

### Use Better



### Materials and Substances

Packaging made with recycled cardboard	No
Packaging without single use plastic	No
SCIP Number	C622fd85-96e4-4086-85a0-8be61a4b5d6b
EU RoHS Directive	<a href="#">Compliant By Exemption</a>
REACH Regulation	<a href="#">Reference contains Substances of Very High Concern above the threshold</a>

### Use Longer



### Lifetime extension

Repair	No
--------	----

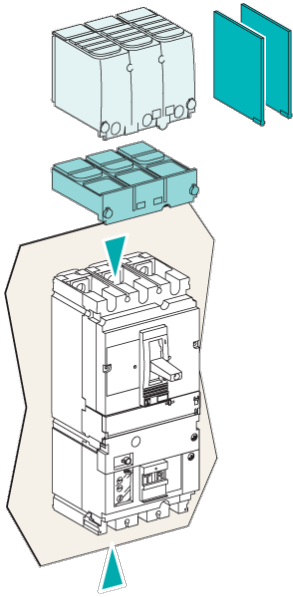
### Use Again



### Repack and remanufacture

Recyclability potential, in %	58
End of life manual availability	<a href="#">End of Life Information</a>
Take-back	No

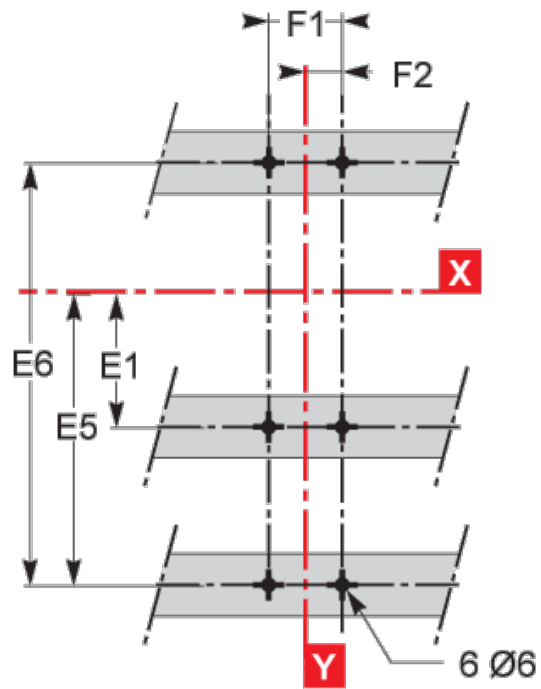
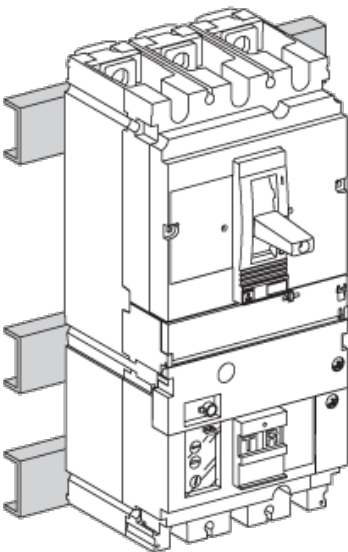
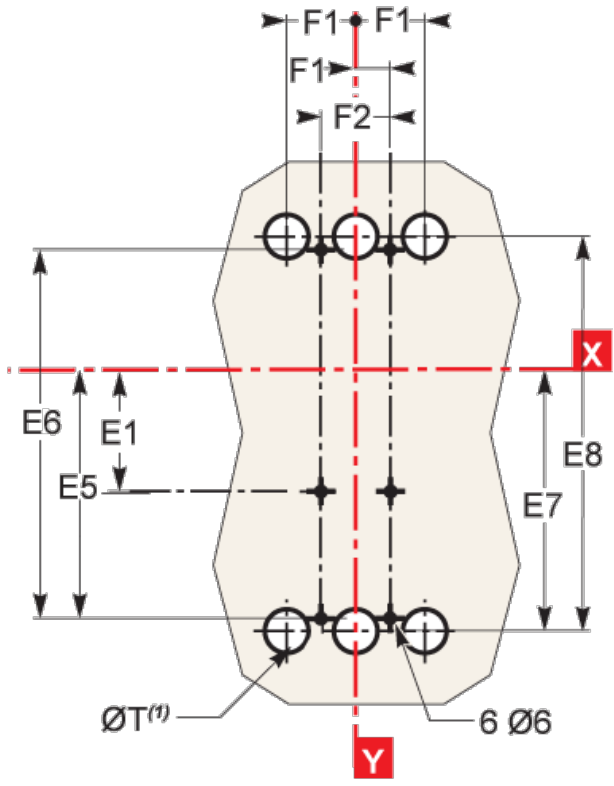
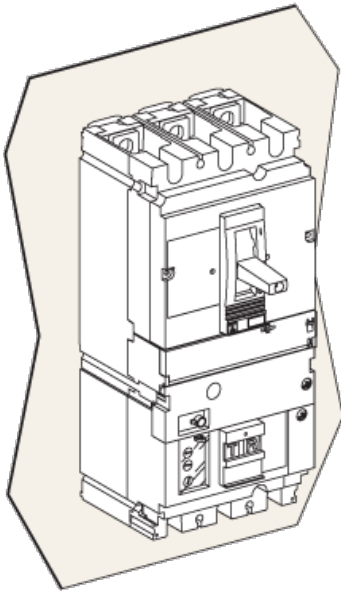
Dimensions Drawings



Type	A	A1	A2	A3	A4	A5	A6	A7	A8	A9	B	B1	B2	C1	C2	C3	E1
CVS100/160/250	80.5	161	94	145	178.5	155.5	236	169	220	253.5	52.5	105	140	81	86	111 <sup>(2)</sup>	62.5
CVS400/630	127.5	255	142.5	200	237	227.5	355	242.5	300	337	70	140	185	95.5	110	168	100
Type	E2	E3	E4	E5	E6	E7	E8	F1	F2	F3	G1	G2	G3	G4	G5	ØT	U
CVS100/160/250	125	70	140	137.5	200	145	215	35	17.5	70	95	75	13.5	23	17.5	24	y 32
CVS400/630	200	113.5	227	200	300	213.5	327	45	22.5	90	-	-	-	-	32	y 35	

(2) C3=126mm for EasyPact CVS250B/F.

Assembly



Type	A	A1	A2	A3	A4	A5	A6	A7	A8	A9	B	B1	B2	C1	C2	C3	E1
CVS100/160/250	80.5	161	94	145	178.5	155.5	236	169	220	253.5	52.5	105	140	81	86	111 <sup>(2)</sup>	62.5
CVS400/630	127.5	255	142.5	200	237	227.5	355	242.5	300	337	70	140	185	95.5	110	168	100
Type	E2	E3	E4	E5	E6	E7	E8	F1	F2	F3	G1	G2	G3	G4	G5	ØT	U
CVS100/160/250	125	70	140	137.5	200	145	215	35	17.5	70	95	75	13.5	23	17.5	24	y 32
CVS400/630	200	113.5	227	200	300	213.5	327	45	22.5	90	-	-	-	-	-	32	y 35

(2) C3=126mm for EasyPact CVS250B/F

Performance Curves

