



Circuit breaker 22 A A-release 17...22 A, N-release 364 A, for transformer protection, screw connection, standard switching capacity

| | |
|---|----------------------------|
| product brand name | SIRIUS |
| product designation | Circuit breaker |
| design of the product | for transformer protection |
| product type designation | 3RV6 |
| General technical data | |
| size of the circuit-breaker | S0 |
| power loss [W] total typical | 8 W |
| power loss [W] for rated value of the current at AC in hot operating state per pole | 3.5 W |
| type of calculation of power loss current-dependent | quadratic |
| insulation voltage with degree of pollution 3 at AC rated value | 690 V |
| surge voltage resistance rated value | 6 kV |
| shock resistance according to IEC 60068-2-27 | 25 g / 11 ms |
| Substance Prohibitance (day/month/year) | 05/01/2012 |
| Net Weight | 0.375 kg |
| Ambient conditions | |
| installation altitude at height above sea level maximum | 2 000 m |
| ambient temperature | |
| • during operation | -20 ... +60 °C |
| • during transport | -50 ... +80 °C |
| relative humidity during operation | 10 ... 95 % |
| Main circuit | |
| number of poles for main current circuit | 3 |
| adjustable current response value current of the current-dependent overload release | 16 ... 22 A |
| operating voltage | |
| • rated value | 690 V |
| • at AC-3 rated value maximum | 690 V |
| operating frequency rated value | 50 ... 60 Hz |
| operational current rated value | 22 A |
| operational current at AC-3 at 400 V rated value | 22 A |
| operating frequency at AC-3 maximum | 15 1/h |
| Protective and monitoring functions | |
| trip class | CLASS 10 |
| design of the overload release | thermal |
| maximum short-circuit current breaking capacity (I _{cu}) at AC at 400 V rated value | 55 kA |
| operating short-circuit current breaking capacity (I _{cs}) at AC at 400 V rated value | 25 kA |
| response value current of instantaneous short-circuit trip unit | 364 A |

| Short-circuit protection | |
|---|----------|
| product function short circuit protection | Yes |
| design of the short-circuit trip | magnetic |

| Installation/ mounting/ dimensions | |
|--|--|
| mounting position | any |
| fastening method | screw and snap-on mounting onto 35 mm DIN rail according to DIN EN 60715 |
| height | 97 mm |
| width | 45 mm |
| depth | 97 mm |
| required spacing for grounded parts | |
| <ul style="list-style-type: none"> forwards backwards upwards at the side downwards | 0 mm 0 mm 50 mm 30 mm 50 mm |

| Connections/ Terminals | |
|---|--|
| type of electrical connection | |
| <ul style="list-style-type: none"> for main current circuit | screw-type terminals |
| arrangement of electrical connectors for main current circuit | Top and bottom |
| type of connectable conductor cross-sections for main contacts | |
| <ul style="list-style-type: none"> solid or stranded finely stranded with core end processing | 2x (1 ... 2.5 mm ²), 2x (2.5 ... 10 mm ²) 2x (1 ... 2.5 mm ²), 2x (2.5 ... 6 mm ²), 1x 10 mm ² |
| tightening torque | |
| <ul style="list-style-type: none"> for main contacts with screw-type terminals | 2 ... 2.5 N·m |

| Electrical Safety | |
|---|--|
| protection class IP on the front according to IEC 60529 | IP20 |
| touch protection on the front according to IEC 60529 | finger-safe, for vertical contact from the front |

| Approvals Certificates | |
|--------------------------|-------------------|
| General Product Approval | Test Certificates |



[Confirmation](#)



[Type Test Certificates/Test Report](#)

| Maritime application | other | Environment |
|----------------------|-------|-------------|
|----------------------|-------|-------------|



[CCS \(China Classification Society\)](#)

[Miscellaneous](#)

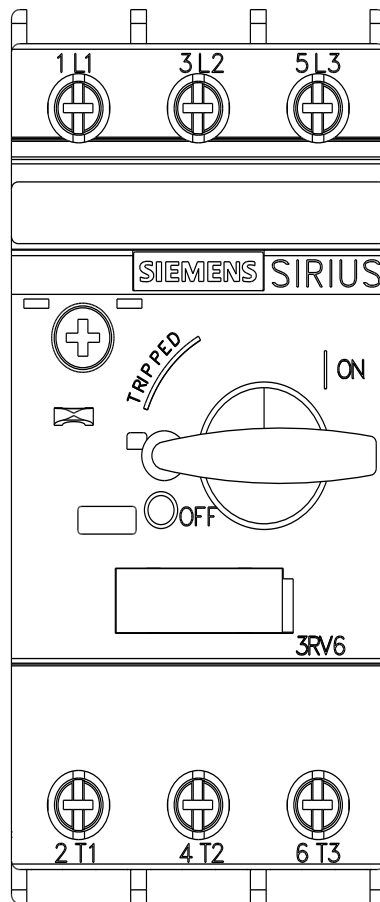
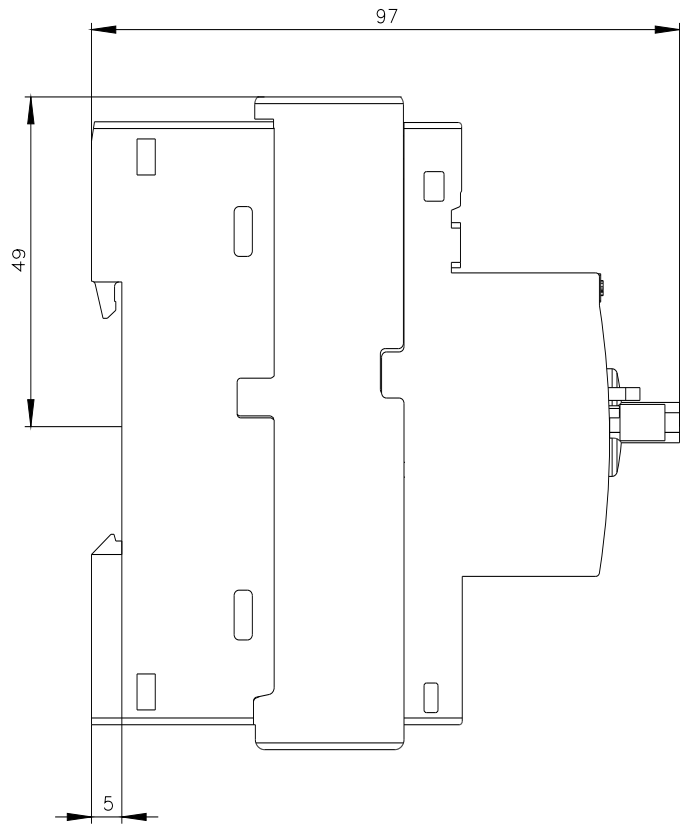
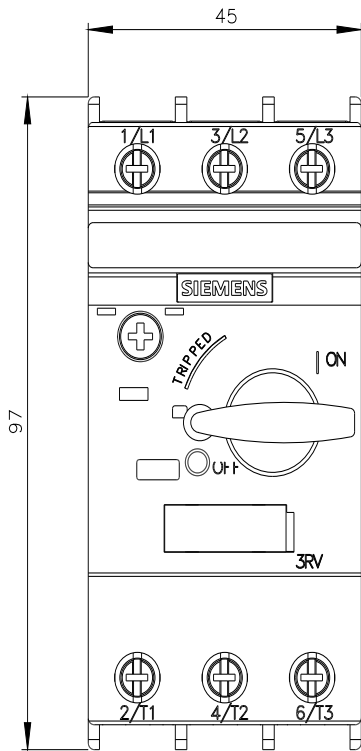
[Confirmation](#)

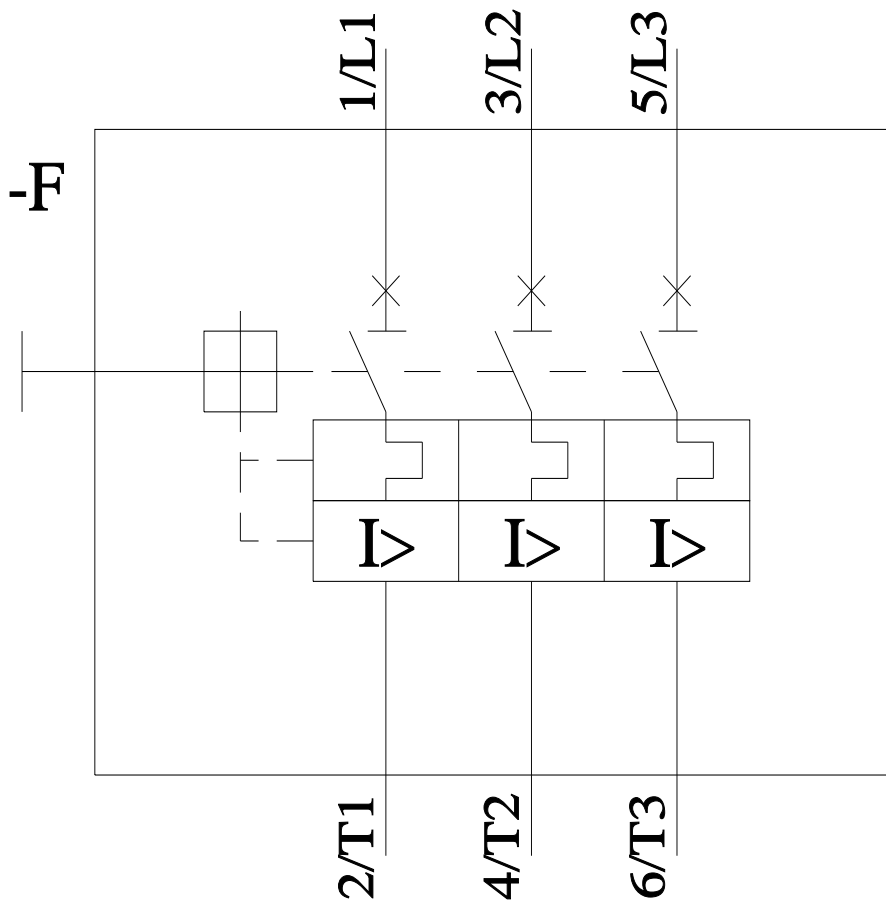


[Environmental Confirmations](#)

| Further information |
|---------------------|
|---------------------|

Service&Support (Manuals, Certificates, Characteristics, FAQs,...)
<https://support.industry.siemens.com/cs/products?pnid=16027&lc=en-CN>





last modified:

5/16/2026 