

# Product data sheet

Specifications



## SH3 OMC motor 100mm 2 st. IP65/65 keyed sh. DSL single turn str. conn.M23 brake

SH31002P1AF3100

⚠ Discontinued on: Oct 9, 2023

⚠ Discontinued

**Product availability: Non-Stock - Not normally stocked in distribution facility**

### Main

Range Compatibility	PacDrive 3
Device short name	SH3
Product or Component Type	Servo motor

### Complementary

Maximum mechanical speed	6000 rpm
[Us] rated supply voltage	115...480 V
Phase	Three phase
Continuous stall current	4.8 A
Continuous stall torque	51.3 lbf.in (5.8 N.m) 115...480 V three phase
Continuous power	1930 W
Peak stall torque	162.0 lbf.in (18.3 N.m) 115...480 V three phase
Nominal output power	1090 W 230 V single phase 1930 W 400 V three phase 1930 W 480 V three phase
Nominal torque	46.02 lbf.in (5.2 N.m) 230 V single phase 40.7 lbf.in (4.6 N.m) 400 V three phase 38.9 lbf.in (4.4 N.m) 480 V three phase
Nominal speed	2000 rpm 230 V single phase 4000 rpm 400 V three phase 4800 rpm 480 V three phase
Maximum current Irms	17.1 A
Shaft end	Parallel key
Shaft diameter	0.7 in (19 mm)
Shaft length	1.6 in (40 mm)
Key width	0.2 in (6 mm)
IP degree of protection	IP65 motor: conforming to IEC 60034-5 IP65 shaft bushing: conforming to IEC 60034-5
Encoder type	Absolute single turn Hiperface DSL
Speed feedback resolution	262144 points/turn
Holding brake	With
Holding torque	79.7 lbf.in (9 N.m)
Mounting Support	International standard flange

Price is "List Price" and may be subject to a trade discount – check with your local distributor or retailer for actual price.

Motor flange size	3.9 in (100 mm)
Electrical Connection	Straight connector
Torque constant	1.21 N.m/A 248 °F (120 °C)
Back emf constant	77 V/krpm 68 °F (20 °C)
Number of motor poles	4
Rotor inertia	2.928 kg.cm <sup>2</sup>
Stator resistance	2.4 Ohm
Stator inductance	13.5 mH
Maximum radial force Fr	2420 N 1000 rpm 1920 N 2000 rpm 1670 N 3000 rpm
Maximum axial force Fa	300 N
Brake pull-in power	12 W
Type of cooling	Natural convection
Length	9.3 in (235.5 mm)
Centring collar diameter	3.7 in (95 mm)
Centring collar depth	0.1 in (3.5 mm)
Number of mounting holes	4
Mounting holes diameter	0.4 in (9.0 mm)
Circle diameter of the mounting holes	4.5 in (115 mm)
Product Weight	14.6 lb(US) (6.6 kg)
Sizing reference	SH31002P
Network number of phases	3
Temperature copper hot	266 °F (130 °C)
Electrical connection	quicklock straight connector

## Ordering and shipping details

Category	US1PC5218359
Discount Schedule	PC52
GTIN	3606481804204
Returnability	No

## Packing Units

Unit Type of Package 1	PCE
Nbr. of units in pkg.	1
Package 1 Height	8.3 in (21.0 cm)
Package 1 Width	7.09 in (18.0 cm)
Package 1 Length	14.02 in (35.6 cm)
Package weight(Lbs)	16.3 lb(US) (7.4 kg)

## Contractual warranty

Warranty (in months)	18
----------------------	----



## Environmental Data

Schneider Electric aims to achieve Net Zero status by 2050 through supply chain partnerships, lower impact materials, and circularity via our ongoing “Use Better, Use Longer, Use Again” campaign to extend product lifetimes and recyclability.

[Environmental Data explained >](#)

[How we assess product sustainability >](#)

### Use Better



#### Materials and Substances

EU RoHS Directive

[Compliant By Exemption](#)

California proposition 65

**WARNING:** This product can expose you to chemicals including: Lead and lead compounds, which is known to the State of California to cause cancer and birth defects or other reproductive harm. For more information go to [www.P65Warnings.ca.gov](http://www.P65Warnings.ca.gov)

PVC free

Yes

### Use Longer



#### Lifetime extension

Repair

No

### Use Again



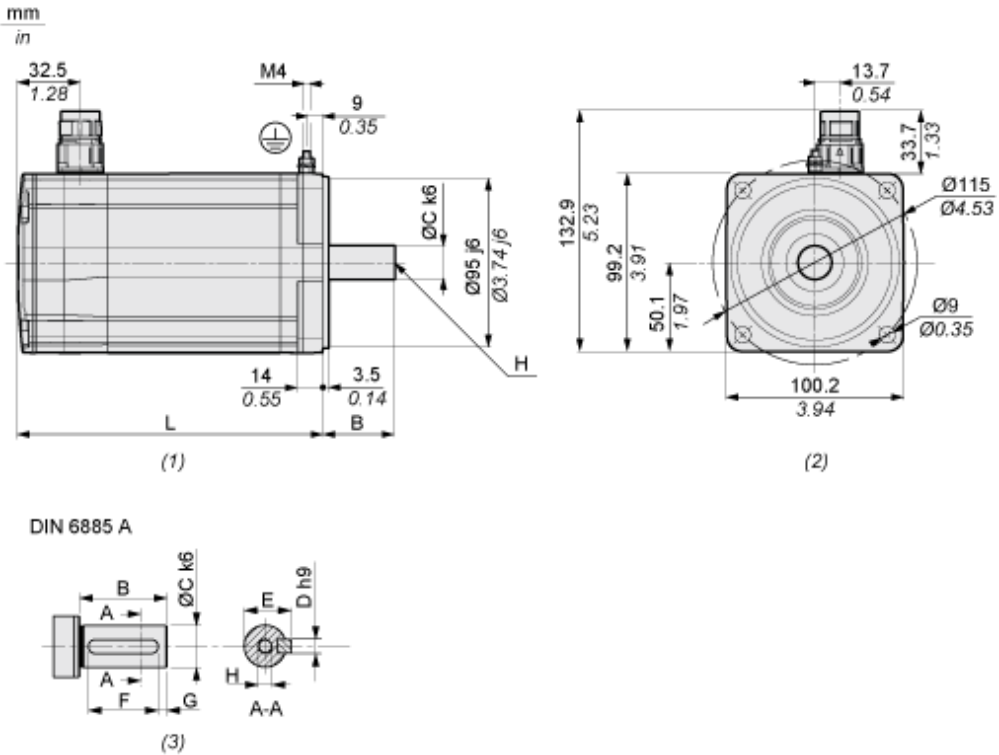
#### Repack and remanufacture

Circularity Profile

No need of specific recycling operations

Dimensions Drawings

Dimensions



- (1) : Side view
- (2) : Mounting
- (3) : Feather key

Characteristic	Unit	Value
L Length with holding brake	mm (in)	235.5 (9.27)
B Shaft length	mm (in)	40 (1.57)
C Shaft diameter	mm (in)	19 (0.75)
D Width of parallel key	mm (in)	6 (0.24)
E Shaft width with parallel key	mm (in)	21.5 (0.85)
F Length of parallel key	mm (in)	30 (1.18)
G Distance parallel key to shaft end	mm (in)	5 (0.2)
H Female thread of shaft		DIN 332-D M6
Parallel key		DIN 6885-A6x6x30