

# Product datasheet

Specifications



Circuit breaker, GoPact MCCB 200, 4 poles, 36kA at 415VAC, 63A, TMD trip unit, adjustable thermal protection, up to 50°C

G20F4A63

## Main

|  |  |
|--|--|
| Range of product                                     | GoPact MCCB  |
| Product or component type                            | Circuit breaker  |
| Product name   | GoPact MCCB 200  |
| Device application                                   | Distribution   |
| Poles description                                    | 4P   |
| Protected poles description                          | 4D   |
| Neutral position                                     | Left   |
| [In] rated current                                   | 63 A at 40 °C<br>63 A at 50 °C   |
| [Ue] rated operational voltage                       | 415 V AC 50/60 Hz conforming to EN/IEC 60947-2   |
| Suitability for isolation                            | Yes conforming to EN/IEC 60947-2   |
| Utilisation category                                 | Category A   |
| [Icu] rated ultimate short-circuit breaking capacity | 36 kA Icu at 380/415 V AC 50/60 Hz conforming to EN/IEC 60947-2<br>50 kA Icu at 220/230 V AC 50/60 Hz conforming to EN/IEC 60947-2 |
| Performance level                                    | F 36 kA 380/415 V AC   |
| Trip unit name                                       | TM-D   |
| Trip unit technology                                 | Thermal-magnetic   |
| Trip unit protection functions                       | LI   |
| Control type   | Toggle   |
| Circuit breaker mounting mode                        | Fixed  |

## Complementary

|   |  |
|---|--|
| [Ui] rated insulation voltage                       | 440 V AC conforming to EN/IEC 60947-2  |
| [Uimp] rated impulse withstand voltage              | 6 kV conforming to EN/IEC 60947-2  |
| [Ics] rated service short-circuit breaking capacity | 36 kA at 380/415 V AC 50/60 Hz conforming to EN/IEC 60947-2<br>50 kA at 220/230 V AC 50/60 Hz conforming to EN/IEC 60947-2 |
| Mechanical durability                               | 30000 cycles   |
| Electrical durability                               | 8000 cycles at 415 V In  |
| Power dissipation per pole                          | 16 W   |
| Mounting support                                    | Backplate  |
| Mounting position                                   | Horizontal and vertical<br>Flat on the back  |
| Upside connection                                   | Front  |

|   |  |
|---|--|
| Downside connection                                       | Front  |
| Connection terminals                                      | screw terminals  |
| Connection pitch  | 25 mm  |
| Protection type   | L : for overload protection (thermal)<br>I : for short-circuit protection (magnetic) |
| Trip unit rating  | 63 A at 40 °C<br>63 A at 50 °C   |
| Long-time pick-up adjustment type Ir (thermal protection) | Adjustable   |
| [Ir] long-time protection pick-up adjustment range        | 0.7...1 x In   |
| Long-time protection delay adjustment type tr             | Fixed  |
| Instantaneous protection pick-up adjustment type Ii       | Fixed  |
| [Ii] instantaneous protection pick-up adjustment range    | 12 x In  |
| Neutral protection settings                               | 1 x Ir (4D)  |
| Width (W)   | 100 mm   |
| Height (H)  | 130 mm   |
| Depth (D)   | 60 mm  |
| Product weight  | 1.1 kg   |
| Colour  | Grey (RAL 7035)  |

## Environment

|                                       |  |
|---------------------------------------|--|
| Standards                             | EN/IEC 60947-1<br>EN/IEC 60947-2<br>EN/IEC 60947-2 Annex H |
| Overvoltage category                  | III  |
| Pollution degree                      | 3 conforming to IEC 60664-1                                |
| IP degree of protection               | IP20 conforming to IEC 60529                               |
| Ambient air temperature for operation | -20...55 °C  |
| Ambient air temperature for storage   | -35...85 °C  |
| Operating altitude                    | 0...2000 m without derating<br>2000...5000 m with derating |

## Packing Units

|                              |         |
|------------------------------|---------|
| Unit Type of Package 1       | PCE     |
| Number of Units in Package 1 | 1       |
| Package 1 Height             | 13.6 cm |
| Package 1 Width              | 11 cm   |
| Package 1 Length             | 13.9 cm |
| Package 1 Weight             | 1650 g  |
| Unit Type of Package 2       | S02     |
| Number of Units in Package 2 | 6       |
| Package 2 Height             | 15 cm   |
| Package 2 Width              | 30 cm   |
| Package 2 Length             | 40 cm   |

|                              |           |
|------------------------------|-----------|
| Package 2 Weight             | 10.215 kg |
| Unit Type of Package 3       | P06       |
| Number of Units in Package 3 | 96        |
| Package 3 Height             | 75 cm     |
| Package 3 Width              | 60 cm     |
| Package 3 Length             | 80 cm     |
| Package 3 Weight             | 171.94 kg |

## Contractual warranty

|                      |    |
|----------------------|----|
| Warranty (in months) | 18 |
|----------------------|----|



## Environmental Data

Schneider Electric aims to achieve Net Zero status by 2050 through supply chain partnerships, lower impact materials, and circularity via our ongoing “Use Better, Use Longer, Use Again” campaign to extend product lifetimes and recyclability.

[Environmental Data explained >](#)

[How we assess product sustainability >](#)



### Environmental footprint

|  |   |
|--|---|
| Total lifecycle Carbon footprint                       | 575 kg CO2 eq.                                |
| Carbon footprint of the manufacturing phase [A1 to A3] | 5 kg CO2 eq.                                  |
| Carbon footprint of the distribution phase [A4]        | 0.9 kg CO2 eq.                                |
| Carbon footprint of the installation phase [A5]        | 0.2 kg CO2 eq.                                |
| Carbon footprint of the use phase [B2, B3, B4, B6]     | 567 kg CO2 eq.                                |
| Carbon footprint of the end-of-life phase [C1 to C4]   | 2 kg CO2 eq.                                  |
| Environmental Disclosure                               | <a href="#">Product Environmental Profile</a> |

## Use Better



### Materials and Packaging

|  |   |
|--|---|
| Packaging made with recycled cardboard | Yes   |
| Packaging without single use plastic   | No, we have minimized the use of plastic in the packaging in compliance with regulations and considering quality and safety standards |
| SCIP Number                            | 554216e5-5712-450c-9997-e53873097a8e  |
| EU RoHS Directive                      | <a href="#">Compliant By Exemption</a>  |
| REACH Regulation                       | <a href="#">Reference contains Substances of Very High Concern above the threshold</a>  |
| Halogen-free status                    | Halogen free plastic parts product  |
| PVC free                               | Yes   |
| Silicone-free                          | Yes   |

## Use Longer



### Lifetime extension

|        |    |
|--------|----|
| Repair | No |
|--------|----|

## Use Again



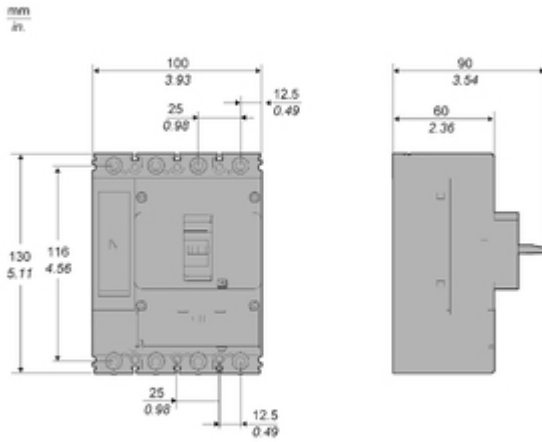
### Repack and remanufacture

|                                 |   |
|---------------------------------|---|
| Recyclability potential, in %   | 46                                      |
| End of life manual availability | <a href="#">End of Life Information</a> |
| Take-back                       | No                                      |

Technical Illustration

Dimensions

---



Offer Marketing Illustration

Product benefits / Features

---

## GoPact MCCB

### Molded Case Circuit Breakers



#### Affordable

Multiple choices are available between current rating and tripping technology, enabling you to optimize the purchase vs. performance cost.



#### Reliable Performance

Robust breaker for an enduring mechanical and electrical life.



#### Available Everywhere

Accessible both in distributor stores and across various e-commerce platforms.

Offer Marketing Illustration

Product benefits / Features

---

## GoPact MCCB

### Technical Benefits



- Complete range from 16 to 800 A
- Complete portfolio of accessories: Electrical auxiliaries, Insulation auxiliaries, Connection accessories, Control accessories, Internal accessories.
- GoPact MTS range covers ratings from 63A to 2000A in 6 frame sizes.
- Built-in trip unit
- Sufficient pole pitch helps to terminate copper busbars or cables
- It has a good price-performance ratio for simple applications and delivers a reliable electrical solution for your applications.
- Schneider Electric performance, quality, and warranty

Offer Marketing Illustration

Product benefits / Features

---



## GoPact MCCB Range Accessories



Rotary handles



Auxiliary contact



Terminal extensions



MN undervoltage release



Rear connectors



Short terminal shield



Plug in conversion kit



Plug in base



Interphase barrier



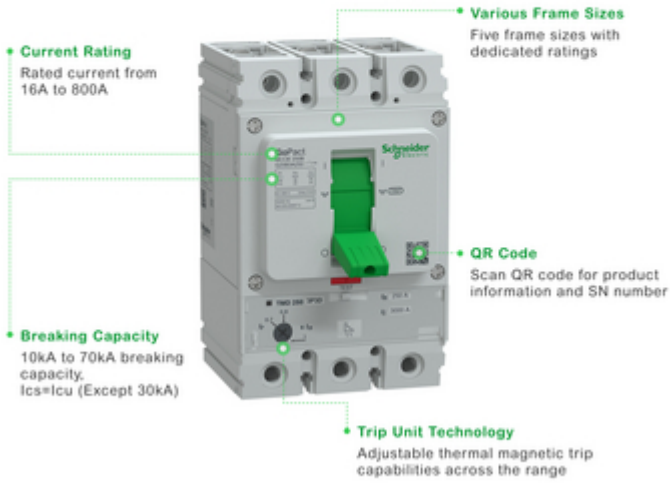
Bare cable connector

Offer Marketing Illustration

Product benefits / Features

---

## GoPact MCCB Technical Features



Offer Marketing Illustration

Product benefits / Features

---

## GoPact MCCB

### Molded Case Circuit Breakers



#### Affordable

Multiple choices are available between current rating and tripping technology, enabling you to optimize the purchase vs. performance cost.



#### Reliable Performance

Robust breaker for an enduring mechanical and electrical life.



#### Available Everywhere

Accessible both in distributor stores and across various e-commerce platforms.

