



residual current device RCD820 advanced RCD type A loadside mounted rated resid. current 0.03...30A at 50/60 Hz adjustable tv 0...10000 ms 4-pole In=250 A Ue=100-690 V accessory for: 3VA2

Model	
product brand name	SENTRON
product designation	Residual current protection device type A
accessories	Residual current protection module type A
General technical data	
fastening method	screw fixing
number of poles	4
protection class IP / on the front	IP40
Voltage	
supply voltage / at AC	
• minimum	127 V
• maximum	690 V
Current	
operational current / at AC / rated value	250 A
response value / of the residual current	0.03;0.05;0.1;0.3;0.5;1;3;5;10;30
product function / communication with residual current equipment	Yes
• product function / integrated / alarm management	Yes
• product function / integrated / alarm management	Pre-alarm indication 30% and 60%
• product function / remote-controlled tripping	Yes
• product feature / sealable	Yes
• product function / selectable tripping characteristic	No
• product function / selectable RCD or monitoring mode	Yes
position / of the infeed / on the RCD component	Top or bottom
type of electrical connection / for main current circuit	busbar connection
set values / of the limit value of not tripping time	0;0.06;0.15;0.3;0.5;1.0;2.0;3.0;5.0;10.0
type of trip indicator / electrical	Yes
type of trip indicator / communication	Yes
power loss [W] / maximum	24.3 W
operating frequency / rated value / maximum	60 Hz
frequency / of fault current	
• minimum	50 Hz
• maximum	60 Hz
Mechanical Design	
height	115 mm
width	139.5 mm
depth	86 mm
net weight	1 617 g

<b>Net Weight</b>	1.653 kg
-------------------	----------

**Connections according UL**

<b>ambient temperature / during operation</b>	
<ul style="list-style-type: none"> <li>• minimum</li> <li>• maximum</li> </ul>	<ul style="list-style-type: none"> <li>-25 °C</li> <li>70 °C</li> </ul>
<b>ambient temperature / during storage</b>	
<ul style="list-style-type: none"> <li>• minimum</li> <li>• maximum</li> </ul>	<ul style="list-style-type: none"> <li>-40 °C</li> <li>80 °C</li> </ul>

**Certificates**

**General Product Approval**



[Miscellaneous](#)



[Confirmation](#)

<b>General Product Approval</b>	<b>EMV</b>	<b>Maritime application</b>	<b>other</b>	<b>Dangerous goods</b>
---------------------------------	------------	-----------------------------	--------------	------------------------



[Miscellaneous](#)

[Confirmation](#)

[Transport Information](#)

**Environment**

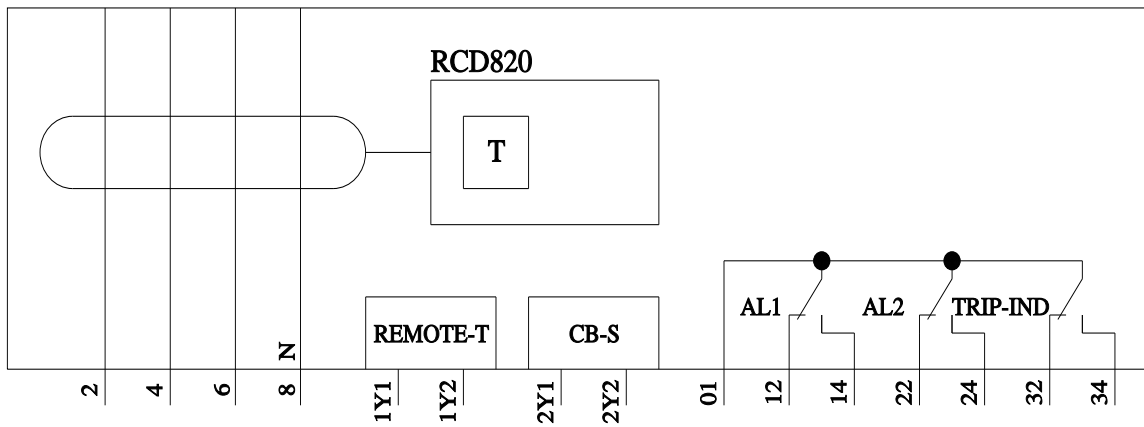
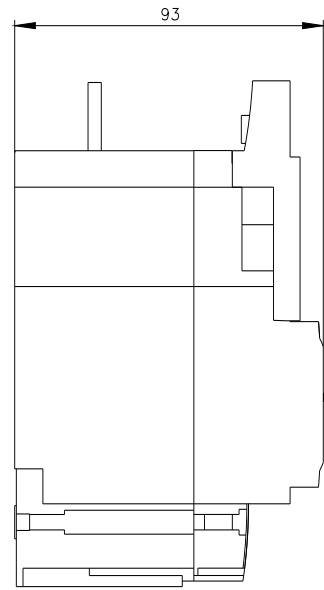
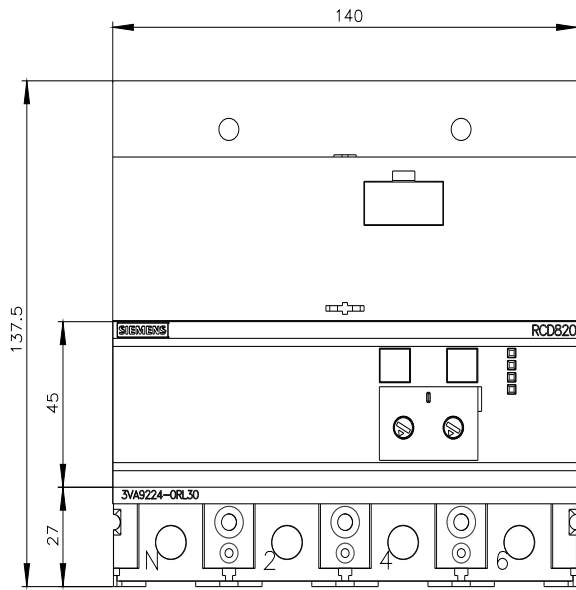
[Environmental Confirmations](#)

[Environmental Confirmations](#)



**Further information**

- Information on the packaging**  
<https://support.industry.siemens.com/cs/ww/en/view/109813875>
- Information for data generation and storage**  
<https://support.industry.siemens.com/cs/ww/en/view/109995012>
- Information- and Downloadcenter (Catalogs, Brochures,...)**  
<https://www.siemens.com/lowvoltage/catalogs>
- Industry Mall (Online ordering system)**  
<https://mall.industry.siemens.com/mall/en/en/Catalog/product?mlfb=3VA9224-0RL30>
- Service&Support (Manuals, Certificates, Characteristics, FAQs,...)**  
<https://support.industry.siemens.com/cs/ww/en/ps/3VA9224-0RL30>
- Image database (product images, 2D dimension drawings, 3D models, device circuit diagrams, ...)**  
[https://www.automation.siemens.com/bilddb/cax\\_en.aspx?mlfb=3VA9224-0RL30](https://www.automation.siemens.com/bilddb/cax_en.aspx?mlfb=3VA9224-0RL30)
- CAx-Online-Generator**  
<https://www.siemens.com/cax>
- Tender specifications**  
<https://www.siemens.com/specifications>



last modified:

5/8/2026

