

# Product datasheet

Specifications



SH3 servomotor, 70mm, 2 stacks, smooth Shaft, Multiturn DSL 18bit, no Brake, OneMotorCable straight M23, IP54/65

SH30702P0BA3000

⚠ Discontinued on: 7 Aug 2023

⚠ Discontinued

## Main

Range compatibility	PacDrive 3
Device short name	SH3
Product or component type	Servo motor

## Complementary

Maximum mechanical speed	8000 rpm
[Us] rated supply voltage	115...480 V
Network number of phases	Three phase
Continuous stall current	2.9 A
Continuous stall torque	2.04 N.m at 115...480 V three phase
Continuous power	1130 W
Peak stall torque	7.6 N.m at 115...480 V three phase
Nominal output power	610 W at 230 V single phase 1130 W at 400 V three phase 1130 W at 480 V three phase
Nominal torque	2.1 N.m at 230 V single phase 1.8 N.m at 400 V three phase 1.8 N.m at 480 V three phase
Nominal speed	3000 rpm at 230 V single phase 6000 rpm at 400 V three phase 7200 rpm at 480 V three phase
Maximum current Irms	11.8 A
Shaft end	Smooth shaft
Shaft diameter	11 mm
Shaft length	23 mm
IP degree of protection	IP65 motor: conforming to IEC 60034-5 IP54 shaft bushing without shaft seal ring: conforming to IEC 60034-5
Encoder type	Absolute multiturn Hiperface DSL
Speed feedback resolution	262144 points/turn x 4096 turns
Holding brake	Without
Mounting support	International standard flange
Motor flange size	70 mm
Electrical connection	Straight connector

<b>Torque constant</b>	0.7 N.m/A at 120 °C
<b>Back emf constant</b>	48 V/krpm at 20 °C
<b>Number of motor poles</b>	3
<b>Rotor inertia</b>	0.410 kg.cm <sup>2</sup>
<b>Stator resistance</b>	4.2 Ohm
<b>Stator inductance</b>	21.3 mH
<b>Maximum radial force Fr</b>	990 N at 1000 rpm
<b>Maximum axial force Fa</b>	160 N
<b>Type of cooling</b>	Natural convection
<b>Length</b>	187 mm
<b>Centring collar diameter</b>	60 mm
<b>Centring collar depth</b>	2.5 mm
<b>Number of mounting holes</b>	4
<b>Mounting holes diameter</b>	5.5 mm
<b>Circle diameter of the mounting holes</b>	82 mm
<b>Product weight</b>	2.8 kg
<b>Sizing reference</b>	SH30702P
<b>Network number of phases</b>	3
<b>Temperature copper hot</b>	130 °C
<b>Electrical connection</b>	quicklock straight connector

## Packing Units

<b>Unit Type of Package 1</b>	PCE
<b>Number of Units in Package 1</b>	1
<b>Package 1 Height</b>	11.5 cm
<b>Package 1 Width</b>	19.0 cm
<b>Package 1 Length</b>	39.5 cm
<b>Package 1 Weight</b>	3.3 kg

## Contractual warranty

<b>Warranty (in months)</b>	18
-----------------------------	----



## Environmental Data

Schneider Electric aims to achieve Net Zero status by 2050 through supply chain partnerships, lower impact materials, and circularity via our ongoing “Use Better, Use Longer, Use Again” campaign to extend product lifetimes and recyclability.

[Environmental Data explained >](#)

[How we assess product sustainability >](#)

### Use Better



#### Materials and Substances

EU RoHS Directive

[Compliant By Exemption](#)

PVC free

Yes

### Use Longer



#### Lifetime extension

Repair

No

### Use Again



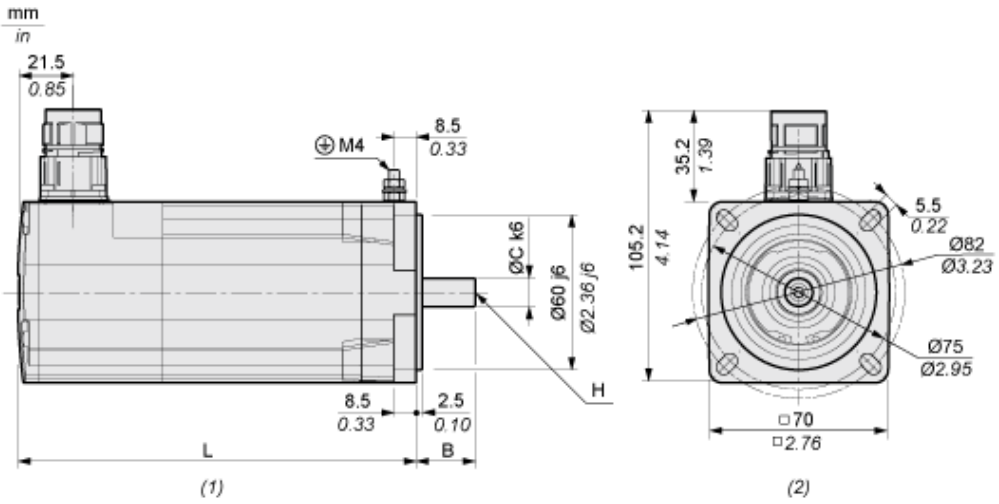
#### Repack and remanufacture

End of life manual availability

No need of specific recycling operations

Dimensions Drawings

Dimensions



- (1) : Side view
- (2) : Mounting

Characteristic	Unit	Value
L Length without holding brake	mm (in)	187 (7.36)
B Shaft length	mm (in)	23 (0.91)
C Shaft diameter	mm (in)	11 (0.43)
H Female thread of shaft		DIN 332-D M4