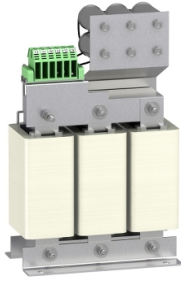


Product datasheet

Specifications



Sinus filter - 45 A - for Altivar Process variable speed drives

VW3A5217

Main

Product or component type	Sinus filter
Range compatibility	Altivar Process ATV900 Altivar Process ATV600
Product specific application	Output filter
[In] rated current	45 A
Thermal losses	360 W, 115 °C
Product compatibility	ATV630 variable speed drive wall mount - 30 kW, 500...690 V three phase ATV630 variable speed drive wall mount - 37 kW, 500...690 V three phase ATV930 variable speed drive wall mount - 30 kW, 500...690 V three phase ATV930 variable speed drive wall mount - 37 kW, 500...690 V three phase ATV630 variable speed drive wall mount, 40 hp, 600 V three phase ATV630 variable speed drive wall mount, 50 hp, 600 V three phase ATV930 variable speed drive wall mount, 40 hp, 600 V three phase ATV930 variable speed drive wall mount, 50 hp, 600 V three phase
Switching frequency	2 kHz
Maximum output frequency	70 Hz
maximum permissible voltage	690 V AC

Complementary

Electrical connection	Terminal
Max current	1.5 x nominal current (duration = 60 s)
Product weight	38 kg

Environment

IP degree of protection	IP00
Pollution degree	2 conforming to EN 50178
Vibration resistance	1 gn (f= 13...200 Hz) conforming to IEC 60068-2 1.5 mm peak to peak (f= 3...13 Hz) conforming to IEC 60068-2
Shock resistance	15 gn for 11 ms conforming to IEC 60068-2-27
Relative humidity	0...95 %
Ambient air temperature for operation	-10...45 °C
Ambient air temperature for storage	-40...65 °C
Operating altitude	<= 1000 m without current derating 1000...3000 m with current derating 1 % per 100 m
Standards	UL 508

Packing Units

Unit Type of Package 1	PCE
Number of Units in Package 1	1
Package 1 Height	55.000 cm
Package 1 Width	32.500 cm
Package 1 Length	42.000 cm
Package 1 Weight	46.000 kg

Contractual warranty

Warranty (in months)	18
-----------------------------	----



Environmental Data

Schneider Electric aims to achieve Net Zero status by 2050 through supply chain partnerships, lower impact materials, and circularity via our ongoing “Use Better, Use Longer, Use Again” campaign to extend product lifetimes and recyclability.

[Environmental Data explained >](#)

[How we assess product sustainability >](#)

Use Better



Materials and Substances

Packaging made with recycled cardboard

No

Packaging without single use plastic

No

EU RoHS Directive

[Compliant](#)

REACH Regulation

[Free of Substances of Very High Concern above the threshold](#)

Use Longer



Lifetime extension

Repair

No

Use Again



Repack and remanufacture

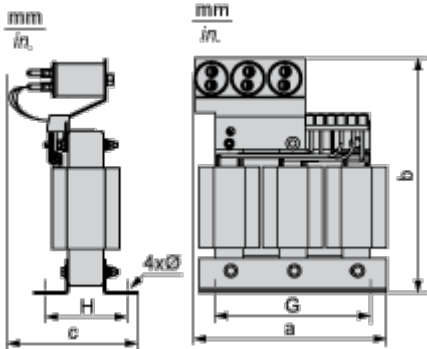
Take-back

No

Dimensions Drawings

Dimensions

Right and Front Views



Dimensions in mm

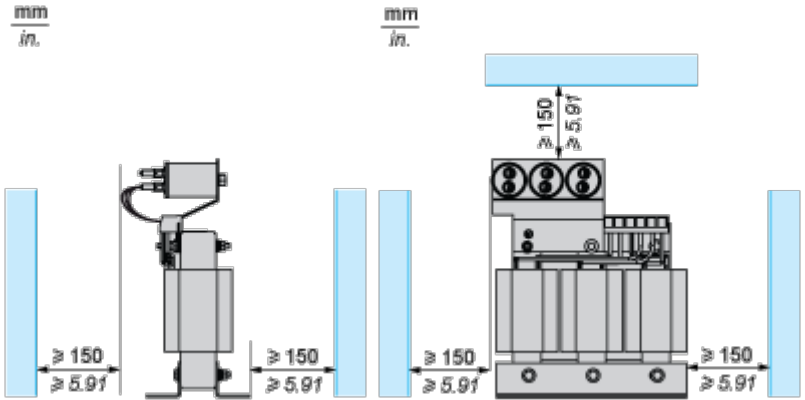
a	b	c	G	H	4Ø
267	425	190	215	127	11 x 15

Dimensions in in.

a	b	c	G	H	4Ø
10.51	16.73	7.48	8.46	5.00	0.43 x 0.59

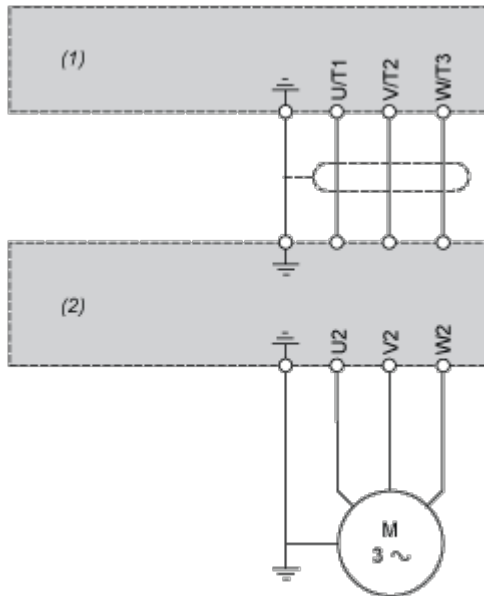
Mounting and Clearance

Mounting Recommendations



Connections and Schema

Recommended Schema



- (1) Drive
- (2) Filter