

# Product data sheet

Specifications



integrated drive ILS with stepper motor - 24..36V - I/O for motion sequence - 5A

ILS1M853PC1F0

⚠ Discontinued on: Feb 18, 2022

⚠ Discontinued

## Packing Units

Unit Type of Package 1	PCE
Number of Units in Package 1	1

## Contractual warranty

Warranty (in months)	18
----------------------	----

Disclaimer: This documentation is not intended as a substitute for and is not to be used for determining suitability or reliability of these products for specific user applications



## Environmental Data

Schneider Electric aims to achieve Net Zero status by 2050 through supply chain partnerships, lower impact materials, and circularity via our ongoing “Use Better, Use Longer, Use Again” campaign to extend product lifetimes and recyclability.

[Environmental Data explained >](#)

[How we assess product sustainability >](#)

### Use Better



#### Materials and Substances

Packaging made with recycled cardboard	No
Packaging without single use plastic	No
SCIP Number	F800009a-26ea-46d4-b613-164e8055f98f
REACH Regulation	<a href="#">Reference contains Substances of Very High Concern above the threshold</a>

### Use Longer



#### Lifetime extension

Repair	No
--------	----

### Use Again



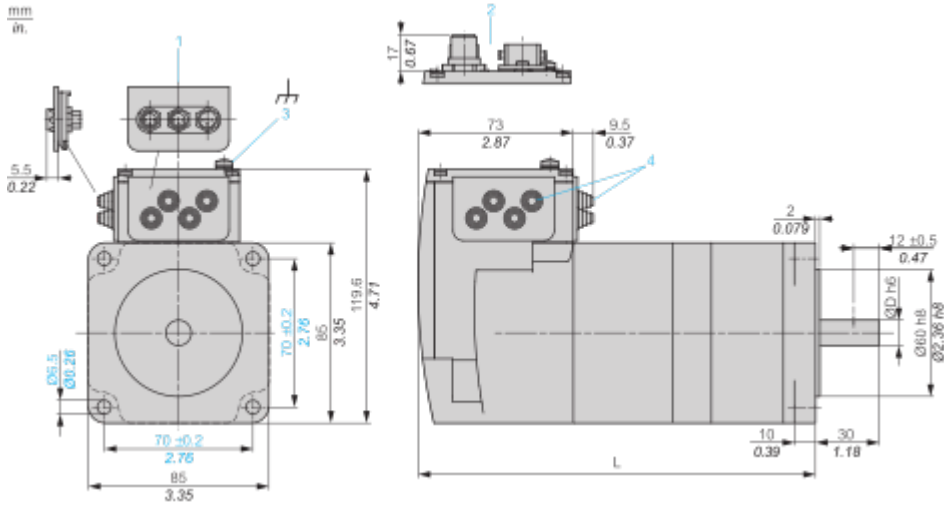
#### Repack and remanufacture

Take-back	Nej
-----------	-----

Dimensions

Integrated Drive with Holding Brake

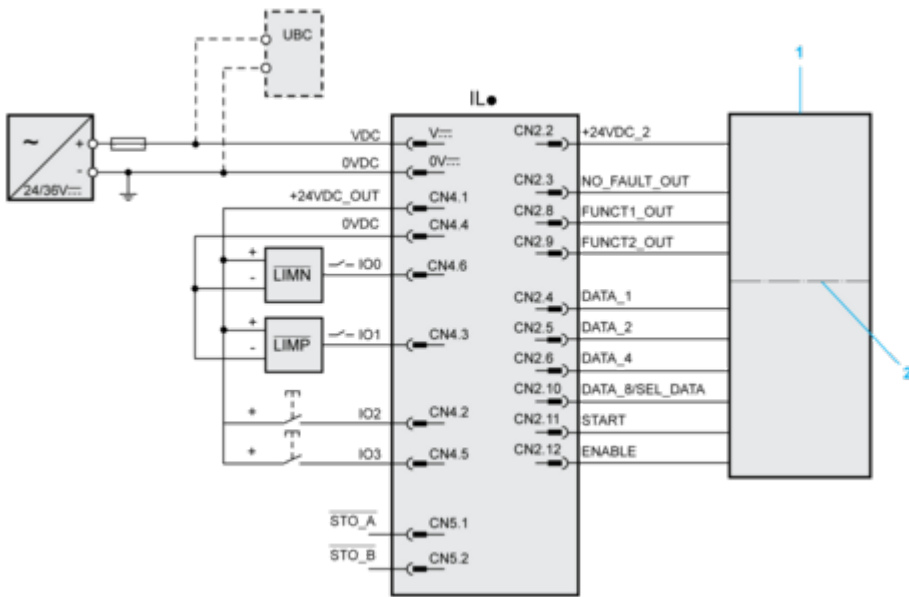
Dimensions



- 1 : Accessories: I/O signal insert with industrial connectors
- 2 : Option: industrial connectors
- 3 : Earth (ground) terminal
- 4 : Accessories: cable entries Ø = 3 ... 9 mm/0.12 ... 0.35 in.
- L : 247.3 mm/9.74 in.
- D : 14 mm/0.55 in.

Wiring

Connection Example with 4 I/O Signals

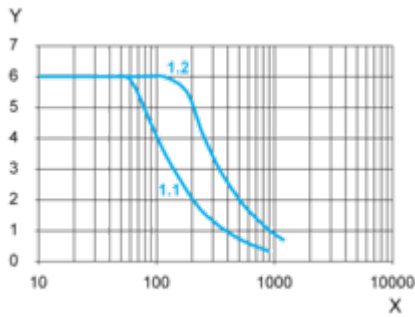


- 1 PLC
- 2 Galvanic isolation

PerformanceCurves

Torque Characteristics

---



X Speed of rotation in rpm  
Y Torque in Nm  
1.1 Max. torque at 24 V  
1.2 Max. torque at 36 V