



Main miniature circuit breaker (SHU), 3-pole, E 63, 400V

| Model | |
|--|---|
| product brand name | SENTRON |
| product designation | Miniature circuit breaker |
| design of the product | Main miniature circuit breaker |
| design of the locking device | Integrated locking slide, lockable by means of a lock, wire seal and cable ties |
| General technical data | |
| number of poles | 3 |
| design of pole | 3P |
| tripping characteristic class | E |
| mechanical service life (operating cycles) typical | 20 000 |
| overvoltage category | 4 |
| degree of pollution | 3 |
| Voltage | |
| insulation voltage (U _i) rated value | 690 V |
| surge voltage resistance rated value | 6 kV |
| <ul style="list-style-type: none"> ● operational current <ul style="list-style-type: none"> — at 30 °C rated value — at 40 °C rated value — at 50 °C rated value — at 55 °C rated value ● operational current at AC rated value | 63 A 59.85 A 56.7 A 55.125 A 63 A |
| Supply voltage | |
| supply voltage at AC | 400 V |
| operating voltage rated value <ul style="list-style-type: none"> ● minimum ● maximum | 110 V 440 V |
| supply voltage frequency rated value | 50 Hz |
| Protection class | |
| protection class IP | IP40, with connected conductors |
| Breaking Capacity | |
| switching capacity current <ul style="list-style-type: none"> ● rated value ● according to EN 60898 rated value | 25 kA 25 kA |
| Dissipation | |
| power loss [W] for rated value of the current at AC in hot operating state per pole | 9.7 W |
| suitability for operation | Residential buildings/infrastructure |
| Product details | |

| | |
|---|-----|
| product component | |
| • infeed at box terminal | Yes |
| • saddle terminals | Yes |
| product feature properties for main switches in accordance with EN 60204-1 | Yes |
| product feature sealable | Yes |

Display and operation

| | |
|---|-----------------------|
| display version for switch position indicator | OFF = green, ON = red |
|---|-----------------------|

Connections

| | |
|---|---------------------|
| connectable conductor cross-section of the box terminal | |
| • solid minimum | 2.5 mm ² |
| • solid maximum | 50 mm ² |
| • stranded minimum | 2.5 mm ² |
| • stranded maximum | 50 mm ² |
| connectable conductor cross-section solid | |
| • minimum | 2.5 mm ² |
| • maximum | 50 mm ² |
| connectable conductor cross-section stranded | |
| • minimum | 2.5 mm ² |
| • maximum | 50 mm ² |
| connectable conductor cross-section finely stranded with core end processing | |
| • minimum | 2.5 mm ² |
| • maximum | 50 mm ² |
| position of power supply cord | Any |

Mechanical Design

| | |
|--------------------------------------|------------------------------------|
| height | 128 mm |
| depth | 76.3 mm |
| depth of the enclosure | 76.3 mm |
| number of modular width units | 4.5 |
| fastening method | DIN rail |
| fastening method other | on DIN rail 35 mm acc. to EN 60715 |
| Net Weight | 1.114 kg |

Environmental conditions

| | |
|--|---|
| shock resistance | 30 g, at least 3 impacts, impact duration 11 ms |
| vibration resistance according to IEC 60068-2-6 | 2 g, 20 frequency cycles 5 to 150 to 15 Hz |
| ambient temperature during operation | |
| • minimum | -25 °C |
| • maximum | 55 °C |
| ambient temperature during storage | |
| • minimum | -40 °C |
| • maximum | 70 °C |

Approvals Certificates

| | |
|--------------------|---------------------------------|
| Environment | General Product Approval |
|--------------------|---------------------------------|

[Environmental Con-
firmations](#)

[Environmental Con-
firmations](#)



other



[Confirmation](#)

Further information

Information on the packaging

<https://support.industry.siemens.com/cs/ww/en/view/109813875>

Information for data generation and storage

<https://support.industry.siemens.com/cs/ww/en/view/109995012>

Information- and Downloadcenter (Catalogs, Brochures,...)

<https://www.siemens.com/lowvoltage/catalogs>

Industry Mall (Online ordering system)

<https://mall.industry.siemens.com/mall/en/en/Catalog/product?mlfb=5SP3363-3>

Service&Support (Manuals, Certificates, Characteristics, FAQs,...)

<https://support.industry.siemens.com/cs/ww/en/ps/5SP3363-3>

Image database (product images, 2D dimension drawings, 3D models, device circuit diagrams, ...)

https://www.automation.siemens.com/bilddb/cax_en.aspx?mlfb=5SP3363-3

CAX-Online-Generator

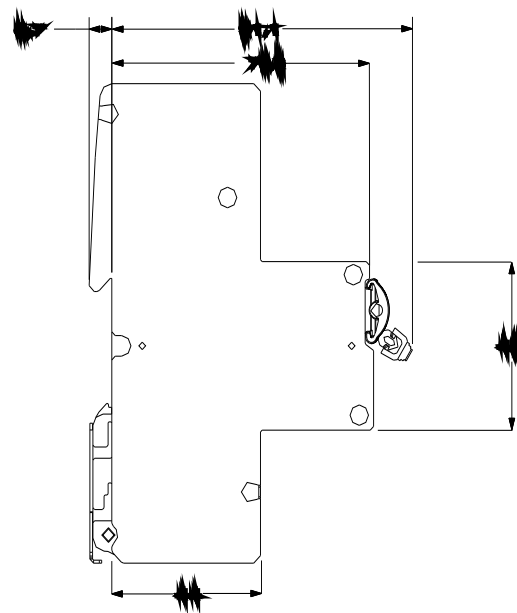
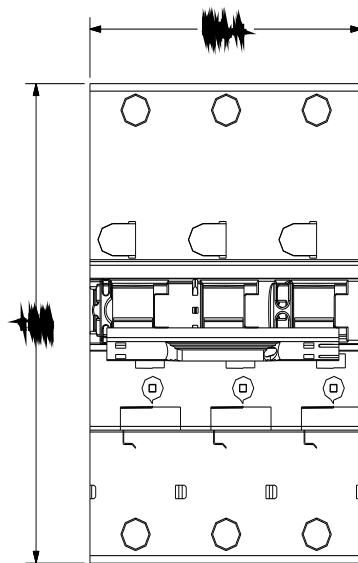
<https://www.siemens.com/cax>

Tender specifications

<https://www.siemens.com/specifications>

Characteristic curves

[https://curves.simaris.siemens.com/curves/<mmp_prod_noCOMP="HAUPT"></mmp_prod_no>](https://curves.simaris.siemens.com/curves/<mmp_prod_noCOMP=)





last modified:

7/22/2025 

