



Summation current transformer type B, 120 mm, 100 mA 1A



Model	
product brand name	SENTRON
product designation	summation current transformer
design of the product	Type B
residual current (I <sub>dn</sub> ) minimum	100 mA
internal diameter of summation current transformer	120 mm
symmetrical tolerance of supply voltage at DC	12 V
wire length maximum	10 m
protection class IP at connection all terminals	IP20
apparent power consumption maximum	2.5 VA
type of voltage of the operating voltage for actuation	AC/DC
surge voltage resistance rated value	8 kV
operating voltage rated value	
• maximum	690 V
Main circuit	
operating frequency rated value	
• minimum	0 Hz
• maximum	2 000 Hz
operational current rated value	330 A
Control current	
control supply voltage	
• at AC at 50 Hz rated value maximum	690 V
• at AC at 60 Hz rated value maximum	690 V
Suitability	
suitability for use	for AC and DC systems
Product function	
product function error memory	No
Connections	
type of connectable conductor cross-sections	6 x 0.75 mm <sup>2</sup>
type of electrical connection	Plug-in terminal
Mechanical Design	
height	67 mm
width	210 mm
depth	191.5 mm
Net Weight	2.014 kg
Environmental conditions	

<b>influence of the surrounding temperature</b>	Max. 95% humidity
<b>ambient temperature during operation</b>	
• minimum	-10 °C
• maximum	55 °C
<b>ambient temperature during storage</b>	
• minimum	-10 °C
• maximum	55 °C

### Certificates

<b>reference code according to IEC 81346-2</b>	T
--	---

### Approvals Certificates

<b>Environment</b>	<b>General Product Approval</b>
--------------------	---------------------------------

[Environmental Con-  
firmations](#)



[Environmental Con-  
firmations](#)



[Confirmation](#)



<b>General Product Ap- proval</b>	<b>other</b>
---------------------------------------	--------------



[Confirmation](#)

### Further information

**Information on the packaging**

<https://support.industry.siemens.com/cs/ww/en/view/109813875>

**Information for data generation and storage**

<https://support.industry.siemens.com/cs/ww/en/view/109995012>

**Information- and Downloadcenter (Catalogs, Brochures,...)**

<https://www.siemens.com/lowvoltage/catalogs>

**Industry Mall (Online ordering system)**

<https://mall.industry.siemens.com/mall/en/en/Catalog/product?mlfb=5SV8703-2KK>

**Service&Support (Manuals, Certificates, Characteristics, FAQs,...)**

<https://support.industry.siemens.com/cs/ww/en/ps/5SV8703-2KK>

**Image database (product images, 2D dimension drawings, 3D models, device circuit diagrams, ...)**

[https://www.automation.siemens.com/bilddb/cax\\_en.aspx?mlfb=5SV8703-2KK](https://www.automation.siemens.com/bilddb/cax_en.aspx?mlfb=5SV8703-2KK)

**CAX-Online-Generator**

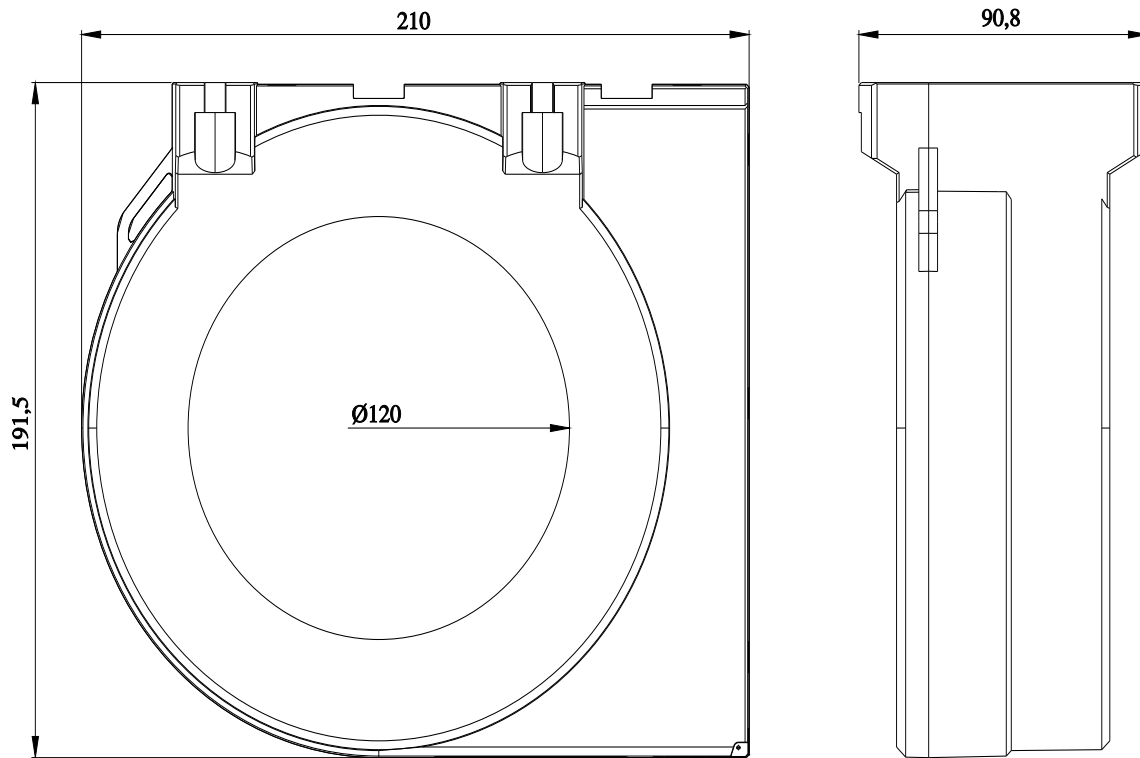
<https://www.siemens.com/cax>

**Tender specifications**

<https://www.siemens.com/specifications>

**Characteristic curves**

[https://curves.simaris.siemens.com/curves/<mmp\\_prod\\_noCOMP="HAUPT"></mmp\\_prod\\_no>](https://curves.simaris.siemens.com/curves/<mmp_prod_noCOMP=)



---

last modified:

4/11/2025 

