

POSITION SWITCH METAL-ENCLOSED ROLLER LEVER, SNAP-ACTION CONTACTS 1NO+1NC M12 CONNECT.,5-POLE, FIXED, PIN ASSIGN.: PIN1=21,PIN2=22, PIN3=13,PIN4=14,PIN5=PE NC=PIN1+2, NO=PIN3+4

| | | | |
|--|--------------------------------|----------------------|-------|
| product designation | position switch | | |
| suitability for use safety switch | Yes | | |
| General technical data | | | |
| protection class IP | IP67 | | |
| reference code according to IEC 81346-2 | B | | |
| active principle | mechanical | | |
| Substance Prohibitance (day/month/year) | 07/01/2006 | | |
| Net Weight | 0.2 kg | | |
| length of the sensor | 136 mm | | |
| width of the sensor | 40 mm | | |
| Ambient conditions | | | |
| ambient temperature | -30 ... +85 °C | | |
| • during operation | | | |
| explosion protection category for dust | none | | |
| design of the switching contact | mechanical | | |
| number of NC contacts for auxiliary contacts | 1 | | |
| number of NO contacts for auxiliary contacts | 1 | | |
| Enclosure | | | |
| design of the housing | design complying with EN 50041 | | |
| material of the enclosure | metal | | |
| coating of the enclosure | painted | | |
| design of the housing according to standard | Yes | | |
| Drive Head | | | |
| design of the actuating element | roller lever | | |
| design of the switching function | positive opening | | |
| circuit principle | snap-action contacts | | |
| number of switching contacts safety-related | 1 | | |
| Installation/ mounting/ dimensions | | | |
| fastening method | screw fixing | | |
| Connections/ Terminals | | | |
| type of electrical connection | M12 plug, fixed, 5-pole | | |
| design of the interface for safety-related communication | without | | |
| Communication/ Protocol | | | |
| design of the interface | without | | |
| Approvals Certificates | | | |
| General Product Approval | Test Certificates | Maritime application | other |



[Miscellaneous](#)



[Confirmation](#)

[Confirmation](#)

other

Environment



[Environmental Con-
firmations](#)

Further information

Information on the packaging

<https://support.industry.siemens.com/cs/ww/en/view/109813875>

Information for data generation and storage

<https://support.industry.siemens.com/cs/ww/en/view/109995012>

Information- and Downloadcenter (Catalogs, Brochures,...)

<https://www.siemens.com/ic10>

Industry Mall (Online ordering system)

<https://mall.industry.siemens.com/mall/en/en/Catalog/product?mlfb=3SE2120-1EV00-0AC5>

Cax online generator

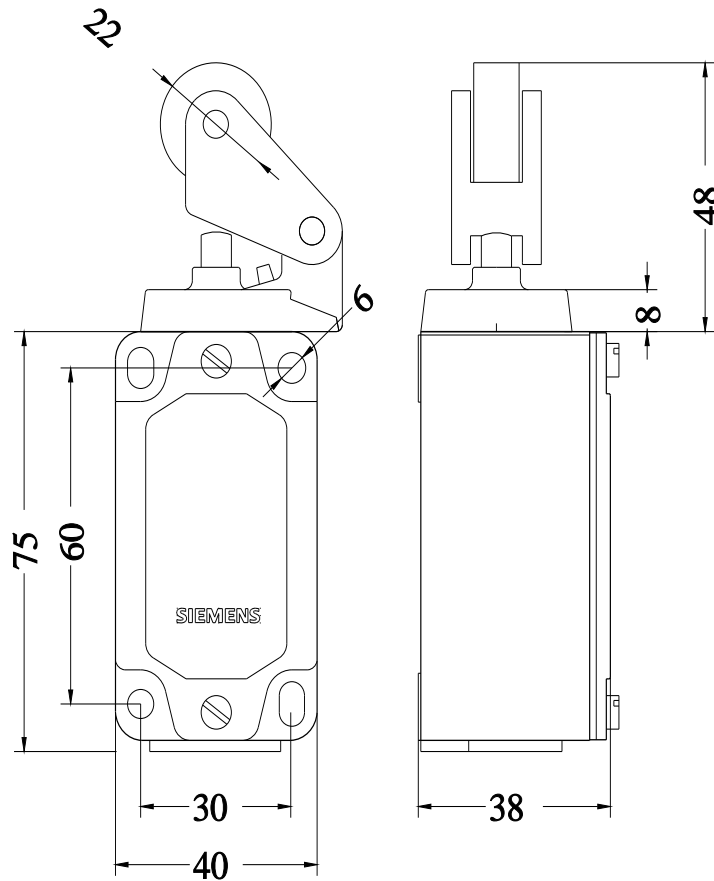
<https://support.automation.siemens.com/WW/CAXorder/default.aspx?lang=en&mlfb=3SE2120-1EV00-0AC5>

Service&Support (Manuals, Certificates, Characteristics, FAQs,...)

<https://support.industry.siemens.com/cs/ww/en/ps/3SE2120-1EV00-0AC5>

Image database (product images, 2D dimension drawings, 3D models, device circuit diagrams, EPLAN macros, ...)

https://www.automation.siemens.com/bilddb/cax_de.aspx?mlfb=3SE2120-1EV00-0AC5&lang=en



last modified:

8/8/2025 