

Product data sheet

Specifications



passive filter, Altivar, 10A, 400V, 50Hz, for variable speed drive

VW3A46102

⚠ Discontinued on: Sep 15, 2023

⚠ Discontinued

Main

Product or component type	Passive filter
Product specific application	Reduction of current harmonics

Complementary

Range compatibility	Altivar 61 Altivar Process ATV900 Altivar Process ATV600 Altivar 71
[Us] rated supply voltage	400 V +/- 10 %
power supply frequency	50 Hz +/- 2 %
Quantity per drive	1 filter per drive variable speed drive ATV61W4 kW/5 hp 1 filter per drive variable speed drive ATV61W5.5 kW/7.5 hp 1 filter per drive variable speed drive ATV61H4 kW/5 hp 1 filter per drive variable speed drive ATV61H5.5 kW/7.5 hp 1 filter per drive variable speed drive ATV71H4 kW/5 hp 1 filter per drive variable speed drive ATV71H5.5 kW/7.5 hp 1 filter per drive variable speed drive ATV71P4 kW/5 hp 1 filter per drive variable speed drive ATV71P5.5 kW/7.5 hp 1 filter per drive variable speed drive ATV71W4 kW/5 hp 1 filter per drive variable speed drive ATV71W5.5 kW/7.5 hp 1 filter per drive variable speed drive ATV630 wall mount, 4 kW/5 hp 1 filter per drive variable speed drive ATV630 wall mount, 5.5 kW/7.5 hp 1 filter per drive variable speed drive ATV650 wall mount, 4 kW/5 hp 1 filter per drive variable speed drive ATV650 wall mount, 5.5 kW/7.5 hp 1 filter per drive variable speed drive ATV930 wall mount, 4 kW/5 hp 1 filter per drive variable speed drive ATV930 wall mount, 5.5 kW/7.5 hp 1 filter per drive variable speed drive ATV950 wall mount, 4 kW/5 hp 1 filter per drive variable speed drive ATV950 wall mount, 5.5 kW/7.5 hp
[In] rated current	10 A input 10.4 A output
Network number of phases	3 phases
THDI	10 % variable speed drive ATV61W 4 kW/5 hp 10 % variable speed drive ATV61W 5.5 kW/7.5 hp 16 % variable speed drive ATV61H 4 kW/5 hp 16 % variable speed drive ATV61H 5.5 kW/7.5 hp 16 % variable speed drive ATV71H 4 kW/5 hp 16 % variable speed drive ATV71H 5.5 kW/7.5 hp 16 % variable speed drive ATV71P 4 kW/5 hp 16 % variable speed drive ATV71P 5.5 kW/7.5 hp 16 % variable speed drive ATV71W 4 kW/5 hp 16 % variable speed drive ATV71W 5.5 kW/7.5 hp 10 % variable speed drive ATV630 4 kW/5 hp 10 % variable speed drive ATV630 5.5 kW/7.5 hp 10 % variable speed drive ATV650 4 kW/5 hp 10 % variable speed drive ATV650 5.5 kW/7.5 hp 10 % variable speed drive ATV930 4 kW/5 hp 10 % variable speed drive ATV930 5.5 kW/7.5 hp 10 % variable speed drive ATV950 4 kW/5 hp 10 % variable speed drive ATV950 5.5 kW/7.5 hp

Disclaimer: This documentation is not intended as a substitute for and is not to be used for determining suitability or reliability of these products for specific user applications

Max current	1.5 x nominal current 60 s)
Efficiency	98 %
Thermal losses	93 W
Cos phi	1 150 % of line current) 0.85 75 % of line current) 0.99 100 % of line current)
Electrical connection	X1-1...X2-3 terminal 0.5...10 mm ² A, B terminal 2.5 mm ²
Electrical insulation class	Class F
Net weight	29.8 lb(US) (13.5 kg)

Environment

IP degree of protection	IP20 IP55 enclosure mounting)
Vibration resistance	2 mm peak to peak (f= 5...13.2 Hz) conforming to IEC 60068-2-6 0.7 gn (f= 13.2...150 Hz) conforming to IEC 60068-2-6
Relative humidity	5...85 % without condensation
Ambient air temperature for operation	113...140 °F (45...60 °C) (with current derating 3 % per °C) 41...113 °F (5...45 °C) (without current derating)
Ambient air temperature for storage	-13...131 °F (-25...55 °C) storage in original packaging -13...149 °F (-25...65 °C) during transport
Operating altitude	<= 1000 m without current derating > 1000...4000 m with current derating 5 % per 1000 m
Standards	IEC 61000-2-4 IEC 61000-2-2 IEC 61000-3-4 IEC 61000-3-12 IEC 61000-3-2 G5/4 engineering recommendation

Packing Units

Unit Type of Package 1	PCE
Number of Units in Package 1	1
Package 1 Height	21.654 in (55.000 cm)
Package 1 Width	15.945 in (40.500 cm)
Package 1 Length	23.622 in (60.000 cm)
Package 1 Weight	46.848 lb(US) (21.250 kg)
Unit Type of Package 2	P06
Number of Units in Package 2	2
Package 2 Height	29.528 in (75.000 cm)
Package 2 Width	23.622 in (60.000 cm)
Package 2 Length	31.496 in (80.000 cm)
Package 2 Weight	112.436 lb(US) (51.000 kg)

Contractual warranty

Warranty (in months)	18
-----------------------------	----



Environmental Data

Schneider Electric aims to achieve Net Zero status by 2050 through supply chain partnerships, lower impact materials, and circularity via our ongoing “Use Better, Use Longer, Use Again” campaign to extend product lifetimes and recyclability.

[Environmental Data explained >](#)

[How we assess product sustainability >](#)

Use Better



Materials and Substances

EU RoHS Directive

[Compliant](#)

Use Longer



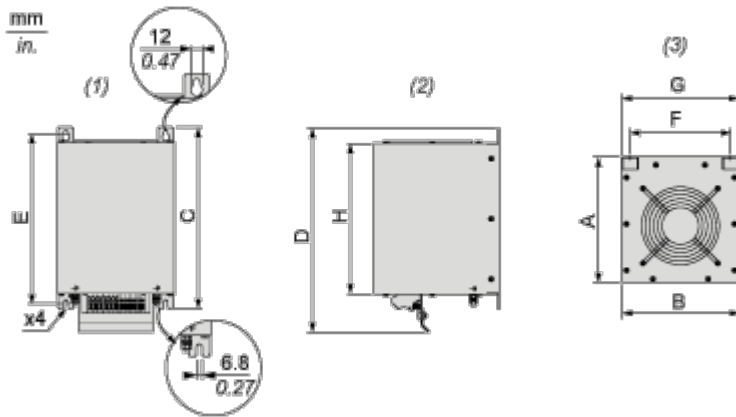
Lifetime extension

Repair

No

Dimensions Drawings

Dimensions



- (1) Front view
- (2) Right side view
- (3) Top view

Dimensions in mm

A	B	C	D	E	F	G	H
205.5	190	295	332.11	276	163	188	246

Dimensions in in.

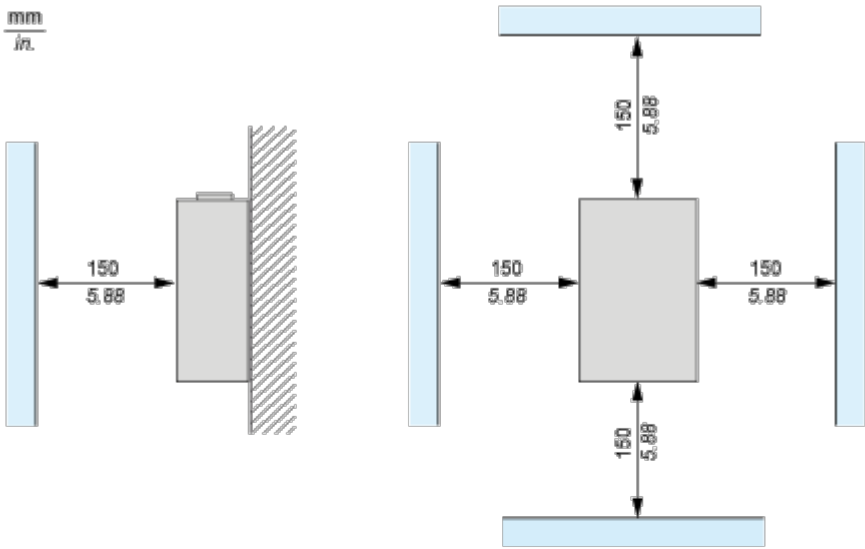
A	B	C	D	E	F	G	H
8.09	7.48	11.61	13.07	10.87	6.42	7.40	9.69

Mounting and Clearance

Mounting Recommendations

Vertical Mounting Only

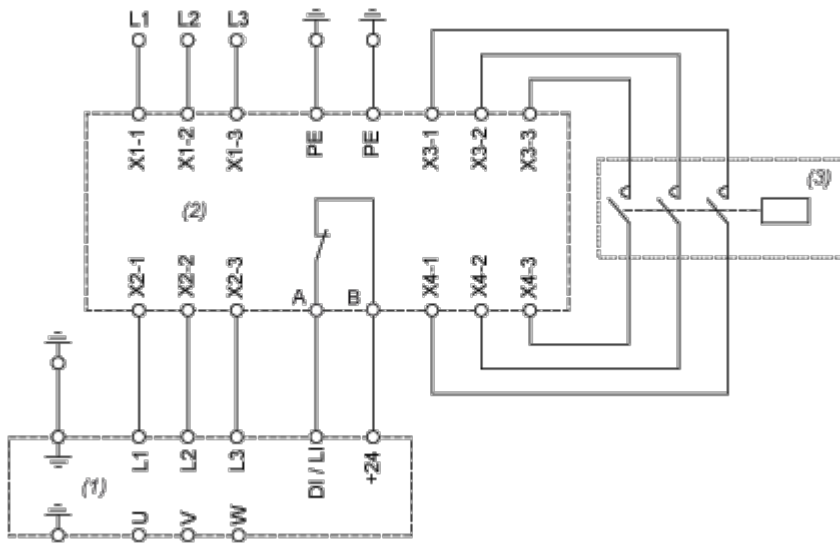
mm
in.



(1) Filter

Connections and Schema

Recommended Schema



- (1) Drive
- (2) Filter
- (3) Optional