





Terminal cover for box terminals size S2, 3-pole, contactor 3RT203 and overload relay 3RB3.3 and soft starter 3RW303 / 3RW403 Multi-unit packaging = 90 units



product brand name	SIRIUS
product category	Terminal covers
product designation	terminal cover
General technical data	
Substance Prohibition (Date)	10/01/2014
Net Weight	0.013 kg

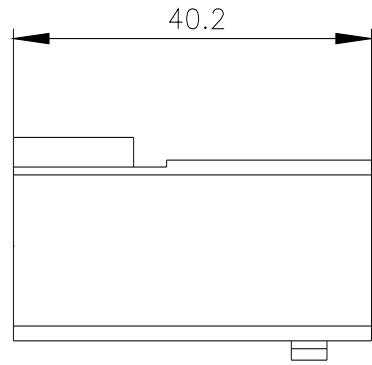
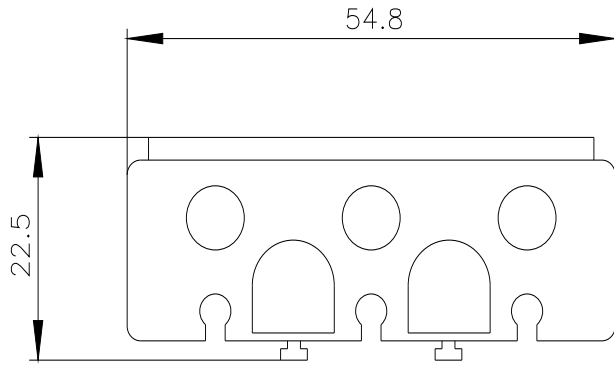
Approvals Certificates

General Product Approval	EMV	Test Certificates	Maritime application
 EG-Konf.			 RCM
		Special Test Certificate	 BUREAU VERITAS

Maritime application	other	Environment
 DNV	 RMRS	 产品合格 QC PASS
	Confirmation	 EPD
		Environmental Confirmations

Further information

Information on the packaging
<https://support.industry.siemens.com/cs/ww/en/view/109813875>
 Information for data generation and storage
<https://support.industry.siemens.com/cs/ww/en/view/109995012>
 Information- and Downloadcenter (Catalogs, Brochures,...)
<https://www.siemens.com/ic10>
 Industry Mall (Online ordering system)
<https://mall.industry.siemens.com/mall/en/en/Catalog/product?mlfb=3RT2936-4EA2-Z X90>
 Cax online generator
<https://support.automation.siemens.com/WW/CAXorder/default.aspx?lang=en&mlfb=3RT2936-4EA2-Z X90>
 Service&Support (Manuals, Certificates, Characteristics, FAQs,...)
<https://support.industry.siemens.com/cs/ww/en/ps/3RT2936-4EA2-Z X90>
 Image database (product images, 2D dimension drawings, 3D models, device circuit diagrams, EPLAN macros, ...)
https://www.automation.siemens.com/bilddb/cax_de.aspx?mlfb=3RT2936-4EA2-Z X90&lang=en



last modified:

11/11/2025 