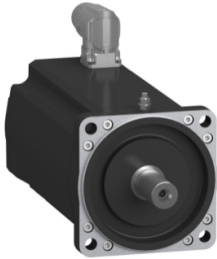


# Product datasheet

Specifications



SH3 servomotor, 100mm, 1 stack,  
smooth Shaft, Singleturn DSL 18bit,  
Brake, OneMotorCable angular  
M23, IP54/65

SH31001P0AF4000

## Main

Range compatibility	PacDrive 3
Device short name	SH3
Product or component type	Servo motor

## Complementary

Maximum mechanical speed	6000 rpm
[Us] rated supply voltage	115...480 V
Network number of phases	Three phase
Continuous stall current	3.5 A
Continuous stall torque	2.94 N.m at 115...480 V three phase
Continuous power	1190 W
Peak stall torque	9.6 N.m at 115...480 V three phase
Nominal output power	690 W at 230 V single phase 1190 W at 400 V three phase 1190 W at 480 V three phase
Nominal torque	2.64 N.m at 230 V single phase 2.27 N.m at 400 V three phase 2.27 N.m at 480 V three phase
Nominal speed	2500 rpm at 230 V single phase 5000 rpm at 400 V three phase 6000 rpm at 480 V three phase
Maximum current Irms	12.0 A
Shaft end	Smooth shaft
Shaft diameter	19 mm
Shaft length	40 mm
IP degree of protection	IP65 motor: conforming to IEC 60034-5 IP54 shaft bushing without shaft seal ring: conforming to IEC 60034-5
Encoder type	Absolute single turn Hiperface DSL
Speed feedback resolution	262144 points/turn
Holding brake	With
Holding torque	9 N.m
Mounting support	International standard flange
Motor flange size	100 mm
Electrical connection	Straight connector
Torque constant	0.84 N.m/A at 120 °C

<b>Back emf constant</b>	60 V/krpm at 20 °C
<b>Number of motor poles</b>	4.0
<b>Rotor inertia</b>	2.018 kg.cm <sup>2</sup>
<b>Stator resistance</b>	3.8 Ohm
<b>Stator inductance</b>	19 mH
<b>Maximum radial force Fr</b>	1930 N at 1000 rpm 1530 N at 2000 rpm 1340 N at 3000 rpm
<b>Maximum axial force Fa</b>	300 N
<b>Brake pull-in power</b>	12 W
<b>Type of cooling</b>	Natural convection
<b>Length</b>	199.5 mm
<b>Centring collar diameter</b>	95 mm
<b>Centring collar depth</b>	3.5 mm
<b>Number of mounting holes</b>	4
<b>Mounting holes diameter</b>	9.0 mm
<b>Circle diameter of the mounting holes</b>	115 mm
<b>Product weight</b>	5.0 kg
<b>Sizing reference</b>	SH31001P
<b>Network number of phases</b>	3
<b>Temperature copper hot</b>	130 °C
<b>Electrical connection</b>	quicklock rotatable right angled connector
<b>Output current 3s peak</b>	12.0 A
<b>Inertia</b>	0.618 kg.cm <sup>2</sup> of brake 0.0 kg.cm <sup>2</sup> of motor

## Packing Units

<b>Unit Type of Package 1</b>	PCE
<b>Number of Units in Package 1</b>	1
<b>Package 1 Height</b>	21.0 cm
<b>Package 1 Width</b>	18.0 cm
<b>Package 1 Length</b>	35.6 cm
<b>Package 1 Weight</b>	5.7 kg

## Contractual warranty

<b>Warranty (in months)</b>	18
-----------------------------	----



## Environmental Data

Schneider Electric aims to achieve Net Zero status by 2050 through supply chain partnerships, lower impact materials, and circularity via our ongoing “Use Better, Use Longer, Use Again” campaign to extend product lifetimes and recyclability.

[Environmental Data explained >](#)

[How we assess product sustainability >](#)



### Environmental footprint

Total lifecycle Carbon footprint	2 826 kg CO2 eq.
Carbon footprint of the manufacturing phase [A1 to A3]	25 kg CO2 eq.
Carbon footprint of the distribution phase [A4]	0.7 kg CO2 eq.
Carbon footprint of the installation phase [A5]	0.1 kg CO2 eq.
Carbon footprint of the use phase [B2, B3, B4, B6]	2 799 kg CO2 eq.
Carbon footprint of the end-of-life phase [C1 to C4]	0.5 kg CO2 eq.

## Use Better



### Materials and Substances

Packaging made with recycled cardboard	Yes
Packaging without single use plastic	No
SCIP Number	Ead0850d-370a-47c5-8cf7-1d93c2c974a4
EU RoHS Directive	<a href="#">Compliant By Exemption</a>
REACH Regulation	<a href="#">Reference contains Substances of Very High Concern above the threshold</a>
PVC free	Yes

## Use Longer



### Lifetime extension

Repair	No
--------	----

## Use Again

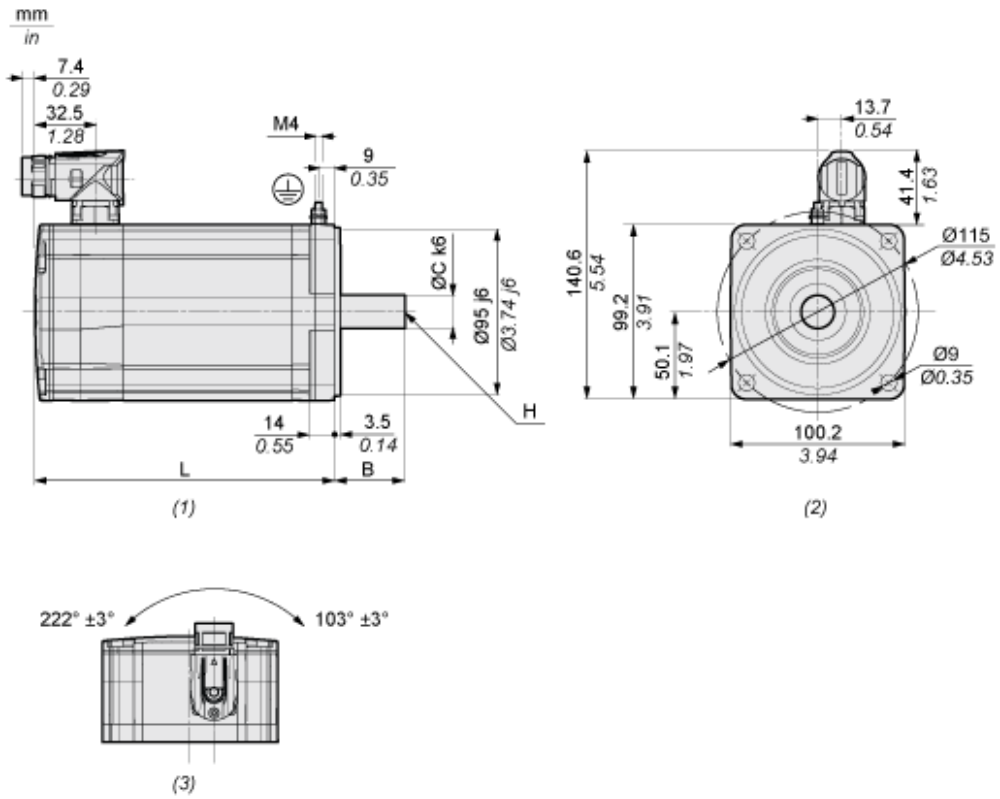


### Repack and remanufacture

End of life manual availability	No need of specific recycling operations
Take-back	Yes

Dimensions Drawings

Dimensions



- (1) : Side view
- (2) : Mounting
- (3) : Rotating area

Characteristic	Unit	Value
L	Length with holding brake	mm (in) 199.5 (7.85)
B	Shaft length	mm (in) 40 (1.57)
C	Shaft diameter	mm (in) 19 (0.75)
H	Female thread of shaft	DIN 332-D M6