



Circuit breaker 3.2 A rated current 3.2 A, N-release 42 A, for starter combination, screw connection, standard switching capacity


product brand name	SIRIUS
product designation	Circuit breaker
design of the product	for starter combinations
product type designation	3RV6
General technical data	
size of the circuit-breaker	S00
power loss [W] total typical	6 W
power loss [W] for rated value of the current at AC in hot operating state per pole	2.4 W
type of calculation of power loss current-dependent	quadratic
insulation voltage with degree of pollution 3 at AC rated value	690 V
surge voltage resistance rated value	6 kV
shock resistance according to IEC 60068-2-27	25 g / 11 ms
Substance Prohibitance (day/month/year)	05/01/2012
SVHC substance name	Lead CAS-No. 7439-92-1
Net Weight	344 g
Ambient conditions	
installation altitude at height above sea level maximum	2 000 m
ambient temperature	
• during operation	-20 ... +60 °C
• during transport	-50 ... +80 °C
relative humidity during operation	10 ... 95 %
Main circuit	
number of poles for main current circuit	3
operating voltage	
• rated value	690 V
• at AC-3 rated value maximum	690 V
operating frequency rated value	50 ... 60 Hz
operational current rated value	3.2 A
operational current at AC-3 at 400 V rated value	3.2 A
operating frequency at AC-3 maximum	15 1/h
Protective and monitoring functions	
maximum short-circuit current breaking capacity (I _{cu}) at AC at 400 V rated value	100 kA
operating short-circuit current breaking capacity (I _{cs}) at AC at 400 V rated value	100 kA
response value current of instantaneous short-circuit trip unit	42 A
Short-circuit protection	
product function short circuit protection	Yes
design of the short-circuit trip	magnetic



Installation/ mounting/ dimensions	
mounting position	any
fastening method	screw and snap-on mounting onto 35 mm DIN rail according to DIN EN 60715
height	97 mm
width	45 mm
depth	97 mm
required spacing for grounded parts	
<ul style="list-style-type: none"> forwards backwards upwards at the side downwards 	0 mm 0 mm 50 mm 30 mm 50 mm

Connections/ Terminals	
type of electrical connection	
<ul style="list-style-type: none"> for main current circuit 	screw-type terminals
arrangement of electrical connectors for main current circuit	Top and bottom
type of connectable conductor cross-sections for main contacts	
<ul style="list-style-type: none"> solid or stranded finely stranded with core end processing 	2x (0,75 ... 2,5 mm ²), 2x 4 mm ² 2x (0.5 ... 1.5 mm ²), 2x (0.75 ... 2.5 mm ²)
tightening torque	
<ul style="list-style-type: none"> for main contacts with screw-type terminals 	0.8 ... 1.2 N·m

Electrical Safety	
protection class IP on the front according to IEC 60529	IP20
touch protection on the front according to IEC 60529	finger-safe, for vertical contact from the front

Approvals Certificates

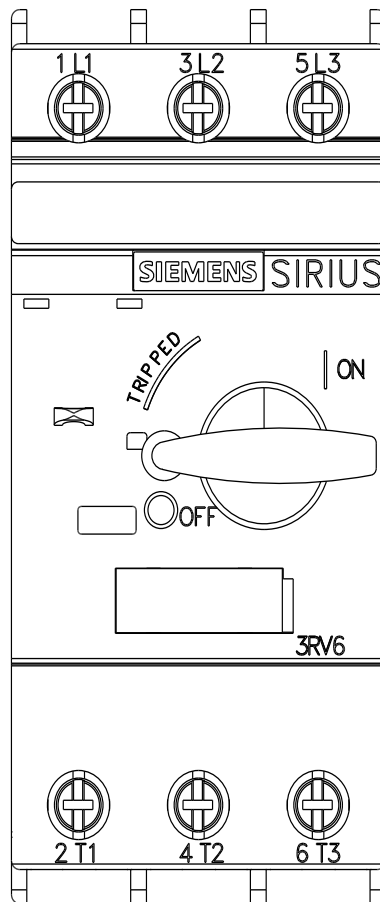
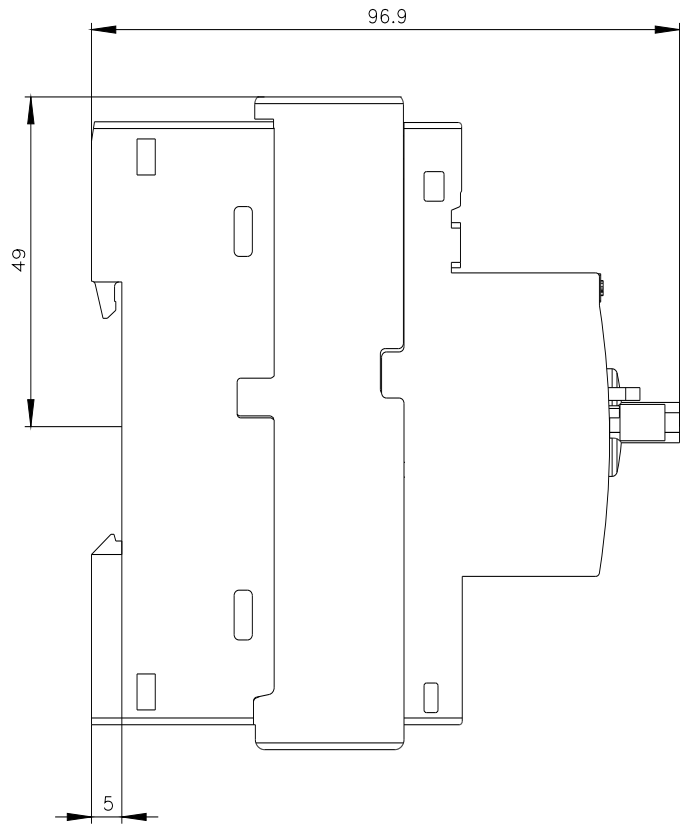
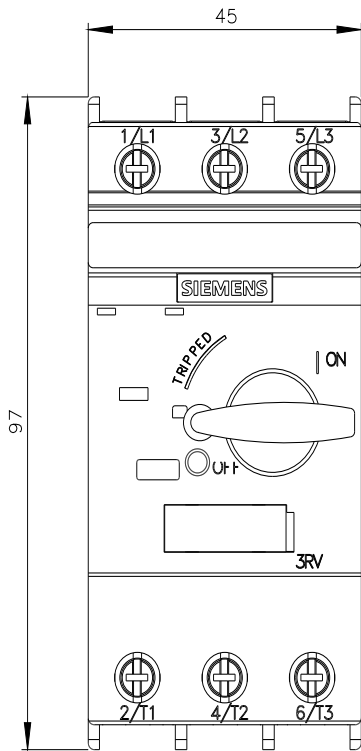
General Product Approval	Test Certificates
 CCC	 UL
 EAC	 EG-Konf.
Confirmation	Type Test Certificates/Test Report

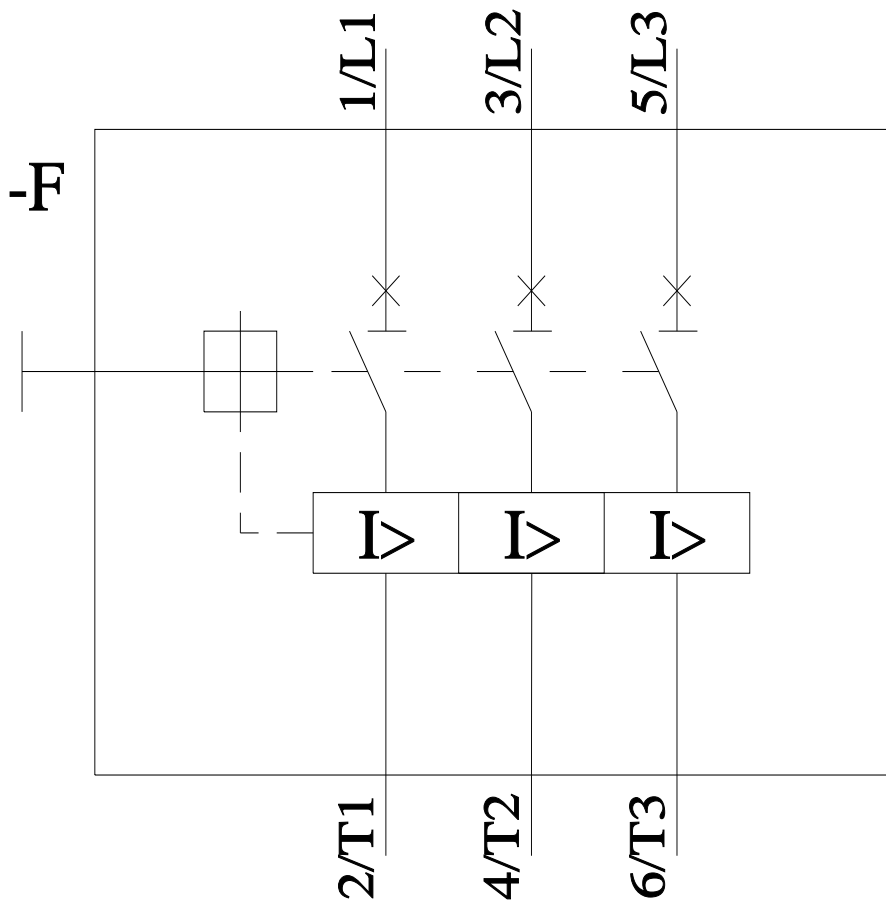
Maritime application	other
 LRS	 产品合格 QC PASS
CCS (China Classification Society)	Confirmation
Confirmation	Miscellaneous
Confirmation	Confirmation

Environment
Environmental Confirmations

Further information

Service&Support (Manuals, Certificates, Characteristics, FAQs,...)
<https://support.industry.siemens.com/cs/products?pnid=16027&lc=en-CN>





last modified:

5/16/2026 