

Product data sheet

Specifications



SH3 servomotor, 100mm, 1 stack, smooth Shaft, Multiturn DSL 18bit, no Brake, OneMotorCable angular M23, IP65/65

SH31001P0BA4100

Product availability: Non-Stock - Not normally stocked in distribution facility

Main

Range Compatibility	PacDrive 3
Device short name	SH3
Product or Component Type	Servo motor

Complementary

Maximum mechanical speed	6000 rpm
[Us] rated supply voltage	115...480 V
Phase	Three phase
Continuous stall current	3.5 A
Continuous stall torque	26.02 lbf.in (2.94 N.m) 115...480 V three phase
Continuous power	1190 W
Peak stall torque	85.0 lbf.in (9.6 N.m) 115...480 V three phase
Nominal output power	690 W 230 V single phase 1190 W 400 V three phase 1190 W 480 V three phase
Nominal torque	23.37 lbf.in (2.64 N.m) 230 V single phase 20.09 lbf.in (2.27 N.m) 400 V three phase 20.09 lbf.in (2.27 N.m) 480 V three phase
Nominal speed	2500 rpm 230 V single phase 5000 rpm 400 V three phase 6000 rpm 480 V three phase
Maximum current Irms	12.0 A
Shaft end	Smooth shaft
Shaft diameter	0.7 in (19 mm)
Shaft length	1.6 in (40 mm)
IP degree of protection	IP65 motor: conforming to IEC 60034-5 IP65 shaft bushing: conforming to IEC 60034-5
Encoder type	Absolute multiturn Hiperface DSL
Speed feedback resolution	262144 points/turn x 4096 turns
Holding brake	Without
Mounting Support	International standard flange
Motor flange size	3.9 in (100 mm)
Electrical Connection	Rotatable right angled connector
Torque constant	0.84 N.m/A 248 °F (120 °C)

Price is "List Price" and may be subject to a trade discount – check with your local distributor or retailer for actual price.

Back emf constant	60 V/krpm 68 °F (20 °C)
Number of motor poles	4.0
Rotor inertia	1.40 kg.cm ²
Stator resistance	3.8 Ohm
Stator inductance	19 mH
Maximum radial force Fr	1780 N 2000 rpm 1550 N 3000 rpm 2240 N 1000 rpm
Maximum axial force Fa	300 N
Type of cooling	Natural convection
Length	6.6 in (168.5 mm)
Centring collar diameter	3.7 in (95 mm)
Centring collar depth	0.1 in (3.5 mm)
Number of mounting holes	4
Mounting holes diameter	0.4 in (9.0 mm)
Circle diameter of the mounting holes	4.5 in (115 mm)
Product Weight	9.5 lb(US) (4.3 kg)
Sizing reference	SH31001P
Network number of phases	3
Temperature copper hot	266 °F (130 °C)
Electrical connection	quicklock rotatable right angled connector
Output current 3s peak	12.0 A
Inertia	0.0 kg.cm ² of brake 0.0 kg.cm ² of motor

Ordering and shipping details

Category	US1PC5218359
Discount Schedule	PC52
GTIN	3606481803788
Returnability	No
Country of origin	DE

Packing Units

Unit Type of Package 1	PCE
Nbr. of units in pkg.	1
Package 1 Height	8.3 in (21.0 cm)
Package 1 Width	7.09 in (18.0 cm)
Package 1 Length	14.02 in (35.6 cm)
Package weight(Lbs)	10.8 lb(US) (4.9 kg)

Contractual warranty

Warranty (in months)	18
----------------------	----



Environmental Data

Schneider Electric aims to achieve Net Zero status by 2050 through supply chain partnerships, lower impact materials, and circularity via our ongoing “Use Better, Use Longer, Use Again” campaign to extend product lifetimes and recyclability.

[Environmental Data explained >](#)

[How we assess product sustainability >](#)



Environmental footprint

Total lifecycle Carbon footprint	2 822 kg CO2 eq.
Carbon footprint of the manufacturing phase [A1 to A3]	21 kg CO2 eq.
Carbon footprint of the distribution phase [A4]	0.6 kg CO2 eq.
Carbon footprint of the installation phase [A5]	0 kg CO2 eq.
Carbon footprint of the use phase [B2, B3, B4, B6]	2 799 kg CO2 eq.
Carbon footprint of the end-of-life phase [C1 to C4]	0.5 kg CO2 eq.

Use Better



Materials and Substances

Packaging made with recycled cardboard	Yes
Packaging without single use plastic	No
SCIP Number	Ead0850d-370a-47c5-8cf7-1d93c2c974a4
EU RoHS Directive	Compliant By Exemption
REACH Regulation	Reference contains Substances of Very High Concern above the threshold
California proposition 65	WARNING: This product can expose you to chemicals including: Lead and lead compounds, which is known to the State of California to cause cancer and birth defects or other reproductive harm. For more information go to www.P65Warnings.ca.gov
PVC free	Yes

Use Longer



Lifetime extension

Repair	No
--------	----

Use Again

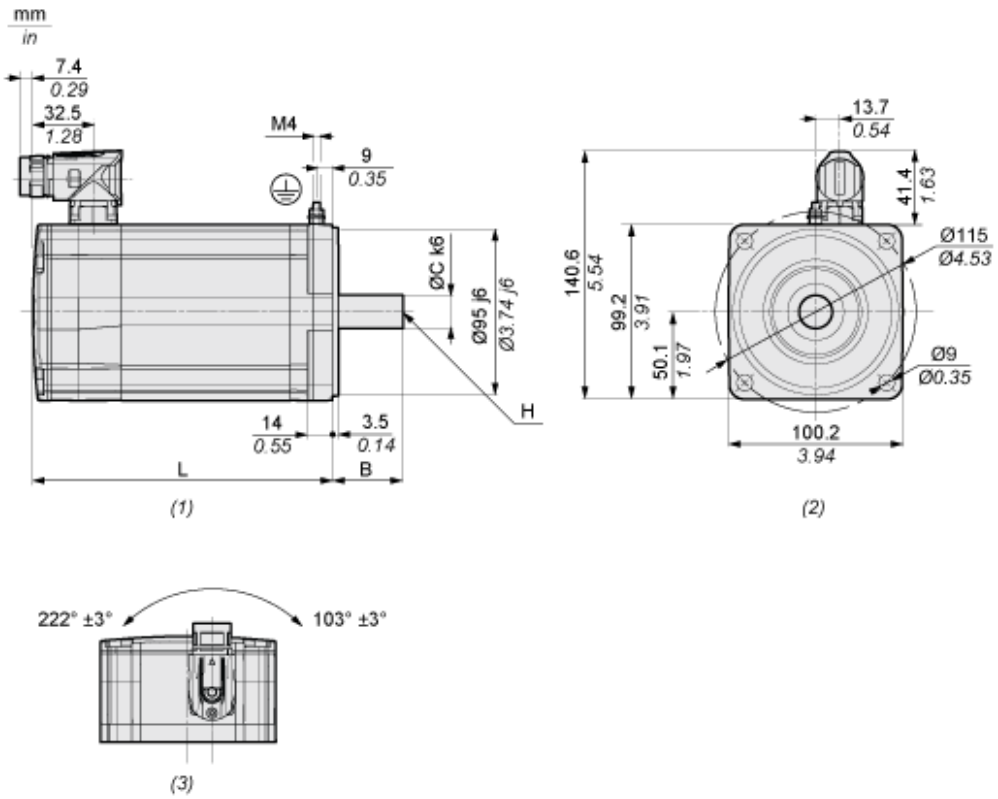


Repack and remanufacture

Circularity Profile	No need of specific recycling operations
Take-back	No

Dimensions Drawings

Dimensions



- (1) : Side view
- (2) : Mounting
- (3) : Rotating area

Characteristic	Unit	Value
L Length without holding brake	mm (in)	168.5 (6.63)
B Shaft length	mm (in)	40 (1.57)
C Shaft diameter	mm (in)	19 (0.75)
H Female thread of shaft		DIN 332-D M6