

Product data sheet

Specifications



circuit breaker EasyPact CVS630N,
50 kA at 415 VAC, 600 A rating
thermal magnetic TM-D trip unit, 4P
3d

LV563319

⚠ Discontinued

Main

| | |
|--|--|
| Range | EasyPact |
| Range of product | EasyPact CVS400...630 |
| Product name | EasyPact CVS |
| Device short name | CVS630N |
| Product or component type | Circuit breaker |
| Device application | Distribution |
| Poles description | 4P |
| Protected poles description | 3D |
| Earth leakage protection (Vigi add on) | Without |
| [In] rated current | 600 A at 40 °C |
| Network type | AC |
| Utilisation category | Category A |
| [Icu] Breaking capacity | 70 kA Icu at 220/240 V AC 50/60 Hz conforming to IEC 60947-2 50 kA Icu at 380/415 V AC 50/60 Hz conforming to IEC 60947-2 42 kA Icu at 440 V AC 50/60 Hz conforming to IEC 60947-2 |
| Trip unit name | TM-D |
| Trip unit technology | Thermal-magnetic |
| Trip unit rating | 600 A at 40 °C |
| Protection type | Short-circuit protection (magnetic) Overload protection (thermal) |

Complementary

| | |
|--|--|
| [Uimp] rated impulse withstand voltage | 8 kV conforming to EN/IEC 60947-2 |
| Network frequency | 50/60 Hz |
| Breaking capacity code | N |
| [Ics] rated service breaking capacity | 70 kA at 220/240 V AC 50/60 Hz conforming to IEC 60947-2 50 kA at 380/415 V AC 50/60 Hz conforming to IEC 60947-2 32 kA at 440 V AC 50/60 Hz conforming to IEC 60947-2 |
| Neutral position | Left |
| Mechanical durability | 15000 cycles |
| Electrical durability | 4000 cycles 415 V In conforming to IEC 60947-2 |
| Control type | Toggle |

List Price displayed is VAT EXCLUSIVE.

| | |
|--|--------------------------|
| Thermal protection adjustment range | 420...600 A |
| Neutral protection setting | No protection (3D) |
| Long time pick-up adjustment type I _r | Adjustable |
| Long time pick-up adjustment range | 0.7...1 x I _n |
| Long time delay adjustment type | Fixed |
| Instantaneous pick-up adjustment type I _i | Adjustable |
| Instantaneous pick-up adjustment range | 4...8 x I _n |
| Contact position indicator | Yes |
| Mounting support | Backplate |
| Mounting mode | Fixed |
| Upside connection | Front |
| Downside connection | Front |
| Connections - terminals | Screw connection |
| Connection pitch | 45 mm |
| Compatibility code | CVS630 |
| Width | 185 mm |
| Depth | 110 mm |
| Height | 255 mm |
| Product weight | 7.1 kg |

Environment

| | |
|---------------------------------------|-----------------------------|
| Standards | EN 60947-2 IEC 60947-2 |
| Product certifications | IEC GOST |
| Electrical shock protection class | Class II |
| Pollution degree | 3 conforming to IEC 60664-1 |
| IP degree of protection | IP40 |
| Ambient air temperature for operation | -25...70 °C |
| Ambient air temperature for storage | -50...85 °C |

Packing Units

| | |
|------------------------------|-----------|
| Unit Type of Package 1 | PCE |
| Number of Units in Package 1 | 1 |
| Package 1 Height | 24.400 cm |
| Package 1 Width | 21.000 cm |
| Package 1 Length | 30.000 cm |
| Package 1 Weight | 8.039 kg |

Contractual warranty

| | |
|----------------------|----|
| Warranty (in months) | 18 |
|----------------------|----|



Environmental Data

Schneider Electric aims to achieve Net Zero status by 2050 through supply chain partnerships, lower impact materials, and circularity via our ongoing “Use Better, Use Longer, Use Again” campaign to extend product lifetimes and recyclability.

[Environmental Data explained >](#)

[How we assess product sustainability >](#)



Environmental footprint

| | |
|--|---|
| Total lifecycle Carbon footprint | 2 540 kg CO2 eq. |
| Carbon footprint of the manufacturing phase [A1 to A3] | 54 kg CO2 eq. |
| Carbon footprint of the distribution phase [A4] | 1 kg CO2 eq. |
| Carbon footprint of the installation phase [A5] | 0.1 kg CO2 eq. |
| Carbon footprint of the use phase [B2, B3, B4, B6] | 2 468 kg CO2 eq. |
| Carbon footprint of the end-of-life phase [C1 to C4] | 16 kg CO2 eq. |
| Environmental Disclosure | Product Environmental Profile |

Use Better



Materials and Substances

| | |
|--|---|
| Packaging made with recycled cardboard | Yes |
| Packaging without single use plastic | No, we have minimized the use of plastic in the packaging in compliance with regulations and considering quality and safety standards |
| SCIP Number | B215bb6c-87a6-4650-9da5-d26b289c9b87 |
| EU RoHS Directive | Compliant By Exemption |
| REACH Regulation | Reference contains Substances of Very High Concern above the threshold |
| PVC free | Yes |

Use Longer




Lifetime extension

| | |
|--------|----|
| Repair | No |
|--------|----|

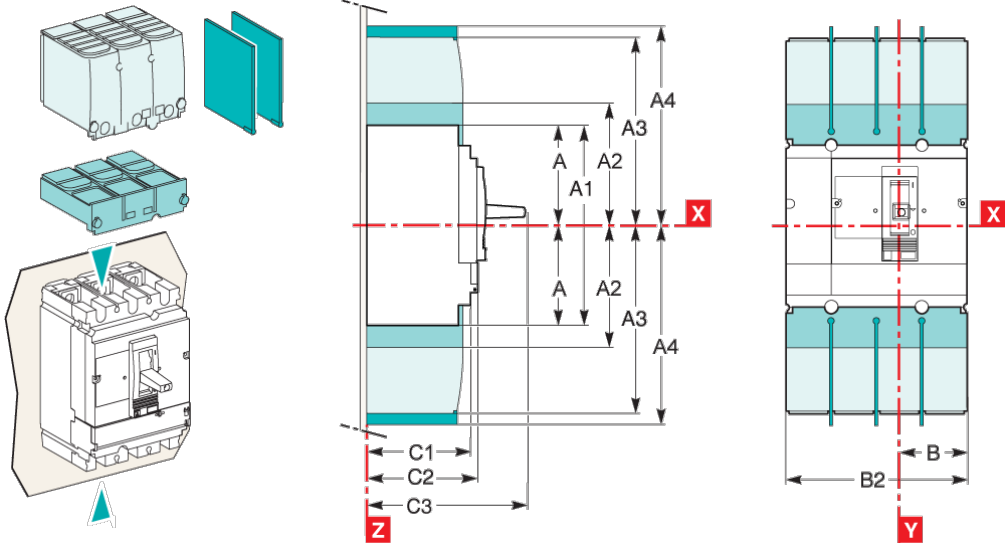
Use Again



Repack and remanufacture

| | |
|---------------------------------|---|
| Recyclability potential, in % | 62 |
| End of life manual availability | End of Life Information |
| Take-back | No |
| WEEE Label |  The product must be disposed on European Union markets following specific waste collection and never end up in rubbish bins |

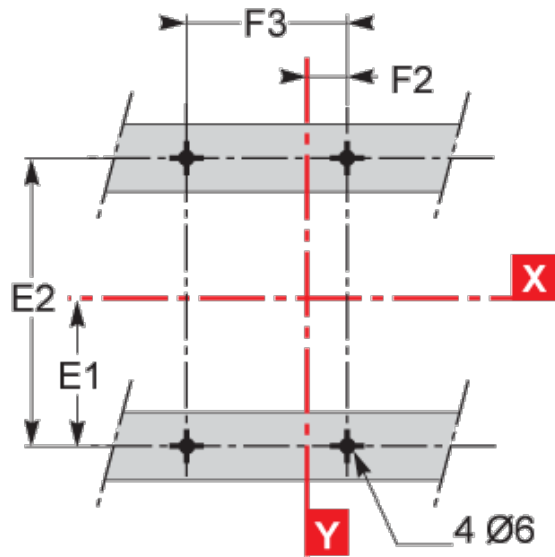
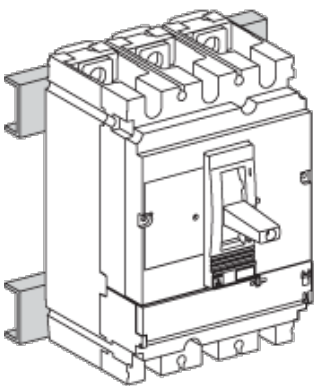
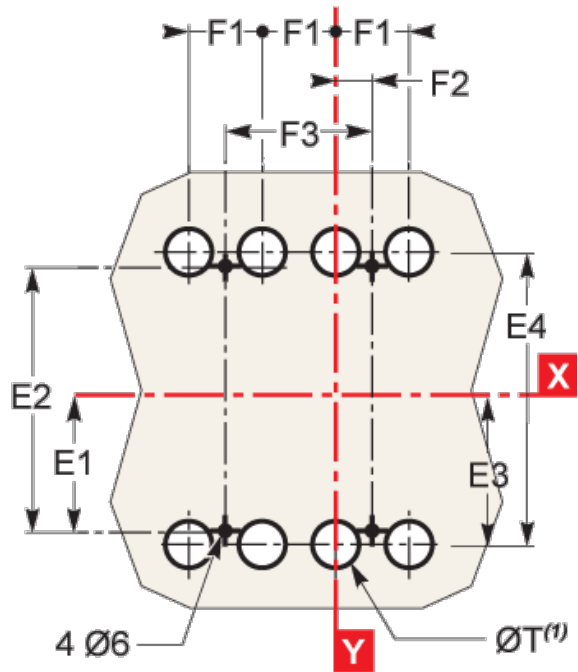
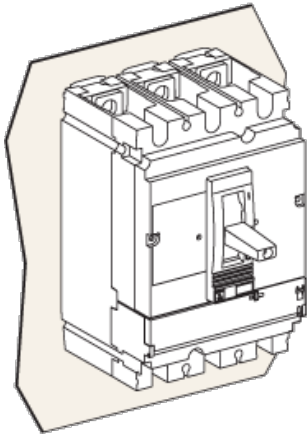
Dimensions Drawings



| Type | A | A1 | A2 | A3 | A4 | A5 | A6 | A7 | A8 | A9 | B | B1 | B2 | C1 | C2 | C3 | E1 |
|----------------|-------|-------|-------|-------|-------|-------|-----|-------|------|-------|------|-----|------|------|------|--------------------|------|
| CVS100/160/250 | 80.5 | 161 | 94 | 145 | 178.5 | 155.5 | 236 | 169 | 220 | 253.5 | 52.5 | 105 | 140 | 81 | 86 | 111 ⁽²⁾ | 62.5 |
| CVS400/630 | 127.5 | 255 | 142.5 | 200 | 237 | 227.5 | 355 | 242.5 | 300 | 337 | 70 | 140 | 185 | 95.5 | 110 | 168 | 100 |
| Type | E2 | E3 | E4 | E5 | E6 | E7 | E8 | F1 | F2 | F3 | G1 | G2 | G3 | G4 | G5 | ØT | U |
| CVS100/160/250 | 125 | 70 | 140 | 137.5 | 200 | 145 | 215 | 35 | 17.5 | 70 | 95 | 75 | 13.5 | 23 | 17.5 | 24 | y 32 |
| CVS400/630 | 200 | 113.5 | 227 | 200 | 300 | 213.5 | 327 | 45 | 22.5 | 90 | - | - | - | - | - | 32 | y 35 |

(2) C3=126mm for EasyPact CVS250B/F.

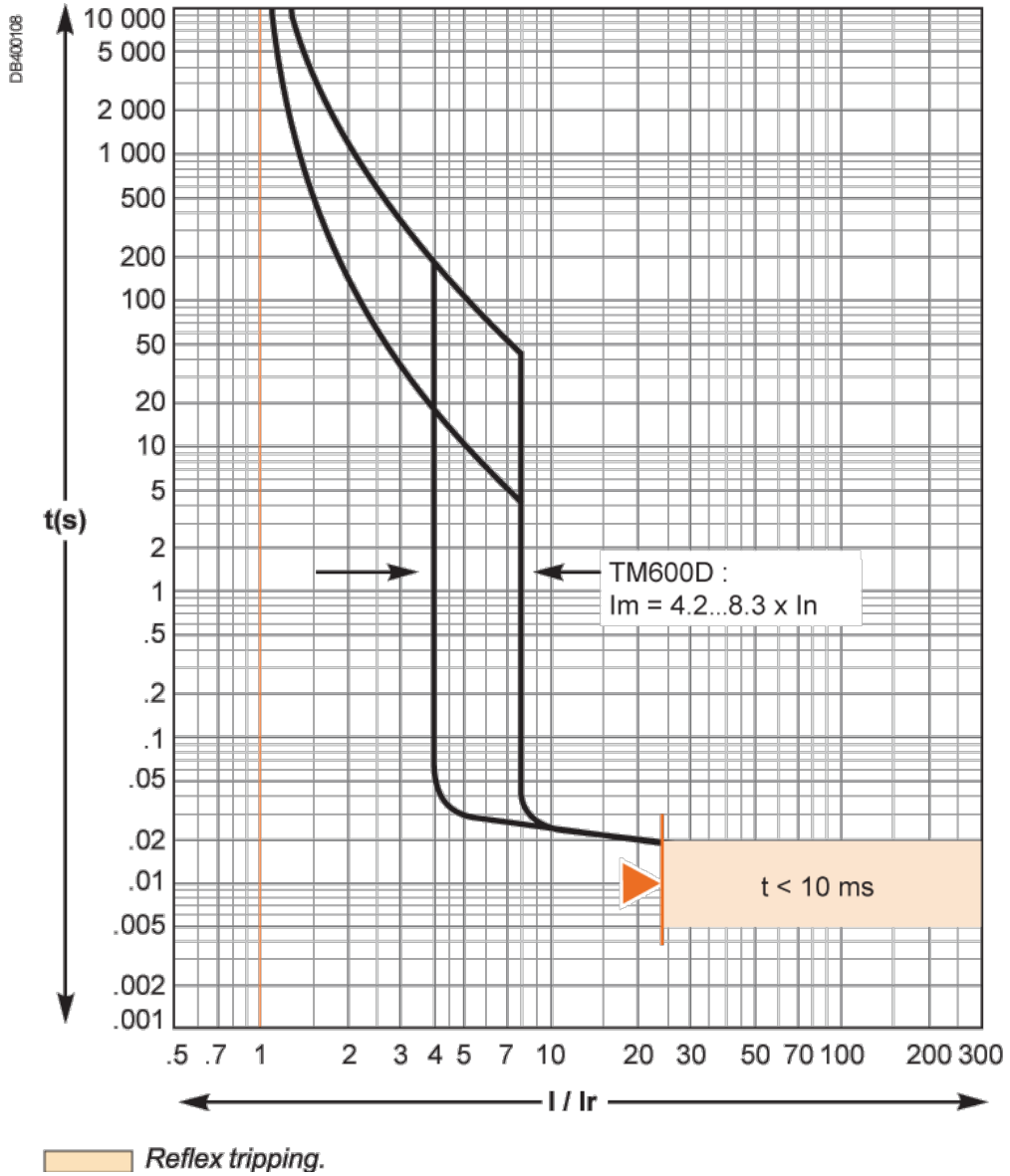
Assembly



| Type | A | A1 | A2 | A3 | A4 | A5 | A6 | A7 | A8 | A9 | B | B1 | B2 | C1 | C2 | C3 | E1 |
|----------------|-------|-------|-------|-------|-------|-------|-----|-------|------|-------|------|-----|------|------|------|--------------------|------|
| CVS100/160/250 | 80.5 | 161 | 94 | 145 | 178.5 | 155.5 | 236 | 169 | 220 | 253.5 | 52.5 | 105 | 140 | 81 | 86 | 111 ⁽²⁾ | 62.5 |
| CVS400/630 | 127.5 | 255 | 142.5 | 200 | 237 | 227.5 | 355 | 242.5 | 300 | 337 | 70 | 140 | 185 | 95.5 | 110 | 168 | 100 |
| Type | E2 | E3 | E4 | E5 | E6 | E7 | E8 | F1 | F2 | F3 | G1 | G2 | G3 | G4 | G5 | ØT | U |
| CVS100/160/250 | 125 | 70 | 140 | 137.5 | 200 | 145 | 215 | 35 | 17.5 | 70 | 95 | 75 | 13.5 | 23 | 17.5 | 24 | y32 |
| CVS400/630 | 200 | 113.5 | 227 | 200 | 300 | 213.5 | 327 | 45 | 22.5 | 90 | - | - | - | - | - | 32 | y35 |

(2) C3=126mm for EasyPact CVS250B/F.

Performance Curves



Technical Illustration

Dimensions



Offer Marketing Illustration

Product benefits / Features

EasyPact CVS Technical Benefits



- MCCB with adjustable setting, rated from 16 to 630A in 3 standard sizes
- Breaking capacity from 25 to 50kA at 400/415V, 3 and 4 pole versions
- Vast range of protection options, thermal-magnetic, electronic and earth leakage
- Deliver a high level of performance and cost-saving functionality
- Coordinated with selectivity and cascading for ACBs, MCCBs, MCBs

Offer Marketing Illustration

Product benefits / Features

EasyPact CVS Moulded Case Circuit Breaker



Safe

Unlock unparalleled safety and control with our wire's unique ability to safely isolate and replace auxiliaries, even with an energized circuit breaker.



Reliable

It meets IEC 60947-2 standards for quality, high endurance, and fault current limitation technology, providing superior safety and protection.



Simple

Effortless retrofitting and seamless upgrades for enhanced flexibility and performance.



Offer Marketing Illustration

Product benefits / Features



EasyPact CVS Range Accessories



Cable connectors



Terminal extension - Spreader



Terminal extension



Auxiliary contact



Terminal shield



Interphase barriers



Direct rotary handle



Extended rotary handle



Earth leakage protection