



plug-in relay complete unit, 1 changeover contact, 24 V DC, LED module red, base with logical isolation, spring-loaded terminal (push-in)

product brand name	SIRIUS
product designation	Coupling relay with plug-in relay
product type designation	LZS
General technical data	
display version LED	Yes
consumed active power	0.4 W
percental drop-out voltage related to the input voltage	10 %
operating frequency without load	36 000 1/h
operating frequency with load	360 1/h
switching behavior	monostable
mechanical service life (operating cycles) typical	30 000 000
electrical endurance (operating cycles) at AC-15 at 230 V typical	100 000
thermal current	16 A
reference code according to IEC 81346-2	K
Substance Prohibitance (Date)	05/01/2012
Net Weight	0.06 kg
Control circuit/ Control	
control supply voltage at DC rated value	24 V
operating range factor control supply voltage rated value at DC	
• initial value	0.9
• full-scale value	1.4
closing delay	
• at DC maximum	8 ms
opening delay	
• at DC maximum	6 ms
Switching Function	
design of the switching function	changeover switch
Mechanical data	
product component plug-in socket	Yes
design of the snap-on socket base	Socket with logic isolation
design of the relay operating mechanism	poled
Short-circuit protection	
design of the fuse link for short-circuit protection of the auxiliary switch required	fuse gG: 10 A
Auxiliary circuit	
type of switching contact	Changeover contact
material of switching contacts	AgNi 90/10
number of NC contacts for auxiliary contacts	0

number of NO contacts for auxiliary contacts	0	
number of CO contacts for auxiliary contacts	1	
Main circuit		
type of voltage	DC	
Display		
display version as status display by LED	LED red	
Connections/ Terminals		
product function removable terminal	No	
type of electrical connection	spring-loaded terminals	
type of connectable conductor cross-sections		
<ul style="list-style-type: none"> • solid • finely stranded with core end processing • finely stranded without core end processing • for AWG cables solid • for AWG cables stranded 	<ul style="list-style-type: none"> 1x (0,75 ... 1,5), 2x (0,75 ... 1,0), 2x 1,5 1x (0,75 ... 1,5), 2x 0,75 1x (0,75 ... 1,5), 2x (0,75 ... 1,0), 2x 1,5 1x (18 ... 16), 2x (18 ... 16) 1x (18 ... 16), 2x (18 ... 16) 	
connectable conductor cross-section		
<ul style="list-style-type: none"> • solid • finely stranded with core end processing • finely stranded without core end processing 	<ul style="list-style-type: none"> 0.75 ... 1.5 mm² 0.75 ... 1.5 mm² 0.75 ... 1.5 mm² 	
AWG number as coded connectable conductor cross section		
<ul style="list-style-type: none"> • solid • stranded 	<ul style="list-style-type: none"> 18 ... 16 18 ... 16 	
Installation/ mounting/ dimensions		
mounting position	any	
fastening method	snap-on mounting	
height	98 mm	
width	15.5 mm	
depth	71 mm	
required spacing		
<ul style="list-style-type: none"> • with side-by-side mounting <ul style="list-style-type: none"> — forwards — backwards — upwards — downwards — at the side • for grounded parts <ul style="list-style-type: none"> — forwards — backwards — upwards — at the side — downwards • for live parts <ul style="list-style-type: none"> — forwards — backwards — upwards — downwards — at the side 	<ul style="list-style-type: none"> 0 mm 0 mm 0 mm 0 mm 0 mm 0 mm 0 mm 0 mm 0 mm 0 mm 0 mm 0 mm 0 mm 0 mm 0 mm 0 mm 0 mm 0 mm 0 mm 	
Ambient conditions		
ambient temperature		
<ul style="list-style-type: none"> • during operation • during storage • during transport 	<ul style="list-style-type: none"> -40 ... +70 °C -20 ... +70 °C -20 ... +70 °C 	
Approvals Certificates		
Environment	General Product Approval	Test Certificates



other

[Confirmation](#)

[Confirmation](#)



Further information

Information on the packaging

<https://support.industry.siemens.com/cs/ww/en/view/109813875>

Information for data generation and storage

<https://support.industry.siemens.com/cs/ww/en/view/109995012>

Information- and Downloadcenter (Catalogs, Brochures,...)

<https://www.siemens.com/ic10>

Industry Mall (Online ordering system)

<https://mall.industry.siemens.com/mall/en/en/Catalog/product?mlfb=LZS:RT3D4L24>

Cax online generator

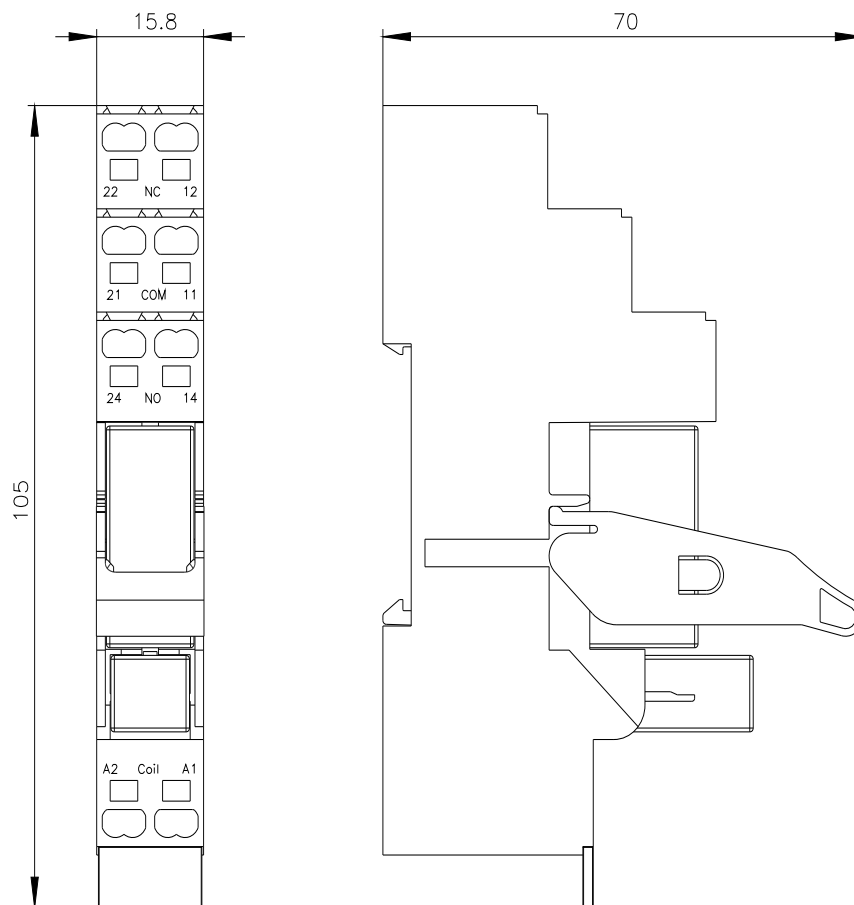
<https://support.automation.siemens.com/WW/CAXorder/default.aspx?lang=en&mlfb=LZS:RT3D4L24>

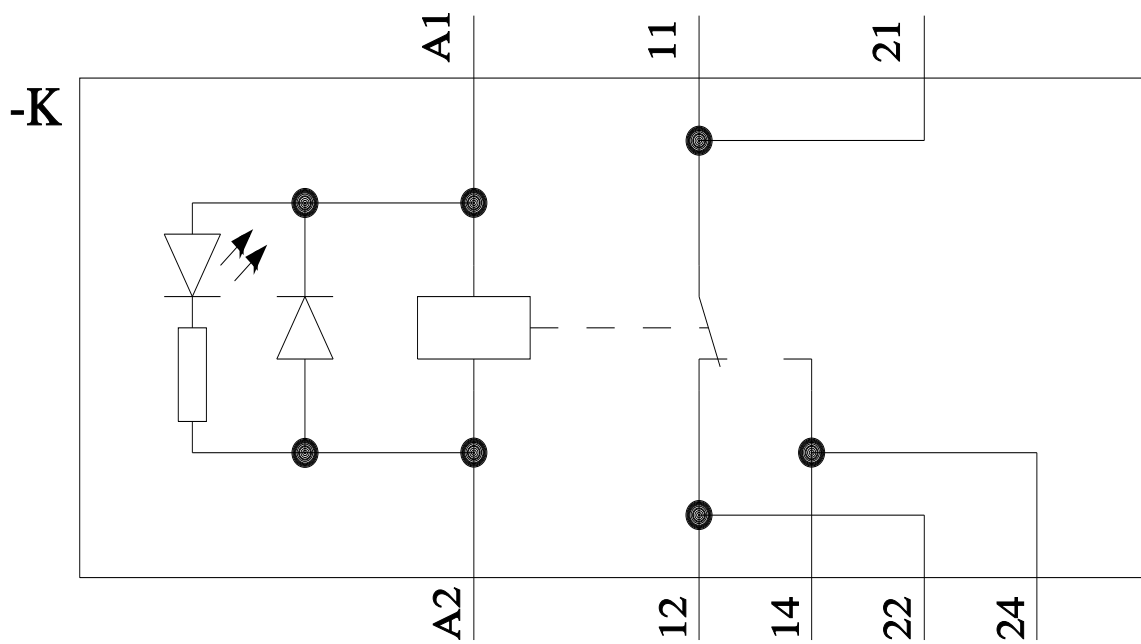
Service&Support (Manuals, Certificates, Characteristics, FAQs,...)

<https://support.industry.siemens.com/cs/ww/en/ps/LZS:RT3D4L24>

Image database (product images, 2D dimension drawings, 3D models, device circuit diagrams, EPLAN macros, ...)

https://www.automation.siemens.com/bilddb/cax_de.aspx?mlfb=LZS:RT3D4L24&lang=en





last modified:

4/2/2025 