

nut keeper kit; 3 units accessory for: 3VM11



Model	
product brand name	SENTRON
product designation	accessories
design of the product	nut keeper kit 3 units
accessories	Nut keeper kit

Mechanical Design	
Net Weight	46 g

Certificates	
General Product Approval	Test Certificates



EG-Konf.



[Confirmation](#)

[Miscellaneous](#)

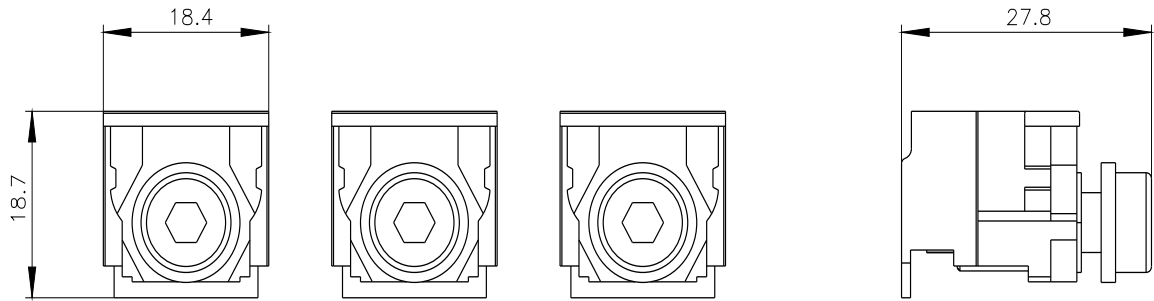


[Type Test Certificates/Test Report](#)

Test Certificates	Maritime application	other	Environment		
Miscellaneous			Confirmation	Environmental Confirmations	Environmental Confirmations

Further information

- Information on the packaging
<https://support.industry.siemens.com/cs/ww/en/view/109813875>
- Information for data generation and storage
<https://support.industry.siemens.com/cs/ww/en/view/109995012>
- Information- and Downloadcenter (Catalogs, Brochures,...)
<https://www.siemens.com/lowvoltage/catalogs>
- Industry Mall (Online ordering system)
<https://mall.industry.siemens.com/mall/en/en/Catalog/product?mlfb=3VM9113-0QA00>
- Service&Support (Manuals, Certificates, Characteristics, FAQs,...)
<https://support.industry.siemens.com/cs/ww/en/ps/3VM9113-0QA00>
- Image database (product images, 2D dimension drawings, 3D models, device circuit diagrams, ...)
https://www.automation.siemens.com/bilddb/cax_en.aspx?mlfb=3VM9113-0QA00
- CAx-Online-Generator
<https://www.siemens.com/cax>
- Tender specifications
<https://www.siemens.com/specifications>



last modified:

4/4/2025 

