

Product datasheet

Specifications



Multi touch screen, Harmony iPC, S Panel PC Performance HDD W15 DC Windows 7

HMIPSPH752D1701

⚠ Discontinued on: 23 May 2023

⚠ Discontinued

Main

Range of product	Harmony iPC
Product or component type	Multi-touch screen
Processor name	Intel Core i3 4010U at 1.7 GHz
Chipset type	Intel QM87
Free slots	1 Internal SATA HDD/SSD 1 CFast
Display size	15.6 inch
Display colour	16777216 colors
Luminance	300 cd/m ²
Pixel resolution	4096 x 4096
Video controller type	Intel HD Graphics 4400
Operating system	Windows 7 64 bits Ultimate SP1
Software package	EcoStruxure secure connect advisor annual subscription cyber security license not included EcoStruxure Operator Terminal Expert run time HMI license not included EcoStruxure Machine SCADA Expert run time HMI/SCADA on configured offer only EcoStruxure augmented operator advisor server augmented operator license not included

Complementary

Number of points	5
Terminal type	Touchscreen display
Memory type	8 GB RAM DDR3 internal
Data storage equipment	500 GB back side enterprise hard disk
Aspect ratio	16:9
Display type	Colour TFT LCD LED
Display resolution	1366 x 768 pixels WXGA
Backlight lifespan	50000 hours
View angle horizontal x vertical	150 x 140°
Touch panel	Projected capacitive technology (PCT)
Type of cooling	Fanless Passive
Watchdog timer	1...255 ms

Number of slots	1 mini PCI Express full-size
[Us] rated supply voltage	24 V DC +/- 20 % 100...240 V AC with additional adaptor HMIYPSPMAC1
Power consumption in W	18...60 W
Mechanical robustness	Hardness anti-scratch 7H
Local signalling	Buzzer LED (green) for on LED (orange) for stand-by
Function available	Operate with water on screen
Width	419.7 mm
Height	269 mm
Depth	56.7 mm
Cut-out dimensions	412.4 (+/- 0.7) x 261.7 (+/- 0.4)
Product weight	6 kg
Display size	15" wide multi-touch
Main type	Performance

Environment

IP degree of protection	IP66 front panel:
Product certifications	CE AS/NZS CCC C-Tick EAC RCM
Standards	FCC part 15 class A IEC 60950 IEC 61000-6-2 CSA C22.2 No 60950 CISPR 11 UL 60950 IEC 61000-6-4
Directives	2004/108/EC - electromagnetic compatibility 2006/95/EC - low voltage directive
Pollution degree	2
Ambient air temperature for operation	0...55 °C SSD 0...55 °C Cfast card 0...45 °C HDD 0...45 °C Mini PCIe
Ambient air temperature for storage	-20...60 °C
Relative humidity	10...95 % non-condensing
Operating altitude	2000
Vibration resistance	1 gn (f = 5...500 Hz)HDD 2 gn (f = 5...500 Hz)SSD 2 gn (f = 5...500 Hz)Cfast card

Packing Units

Unit Type of Package 1	PCE
Number of Units in Package 1	1
Package 1 Height	52.5 cm
Package 1 Width	18.0 cm

Package 1 Length	70.5 cm
------------------	---------

Package 1 Weight	8.0 kg
------------------	--------

Contractual warranty

Warranty (in months)	18
----------------------	----



Environmental Data

Schneider Electric aims to achieve Net Zero status by 2050 through supply chain partnerships, lower impact materials, and circularity via our ongoing “Use Better, Use Longer, Use Again” campaign to extend product lifetimes and recyclability.

[Environmental Data explained >](#)

[How we assess product sustainability >](#)

Environmental footprint

Total lifecycle Carbon footprint	1 352 kg CO2 eq.
Carbon footprint of the manufacturing phase [A1 to A3]	553 kg CO2 eq.
Carbon footprint of the distribution phase [A4]	2 kg CO2 eq.
Carbon footprint of the installation phase [A5]	0.8 kg CO2 eq.
Carbon footprint of the use phase [B2, B3, B4, B6]	787 kg CO2 eq.
Carbon footprint of the end-of-life phase [C1 to C4]	9 kg CO2 eq.
Environmental Disclosure	Product Environmental Profile

Use Better

Materials and Substances

F-gas free	Only air and vacuum used for insulation / breaking, no F-gas including SF6
Packaging made with recycled cardboard	Yes
Packaging without single use plastic	No
SCIP Number	3fe7d895-f8a3-452a-ad75-1d17e7e6e6eb
EU RoHS Directive	Compliant By Exemption
REACH Regulation	Reference contains Substances of Very High Concern above the threshold
Halogen-free status	Product contains halogen above thresholds
PVC free	No
Silicone-free	No

Use Longer

Lifetime extension

Repair	No
--------	----

Use Again

Repack and remanufacture

Recyclability potential, in %	48
End of life manual availability	End of Life Information
Removable battery	User replaceable
Take-back	No

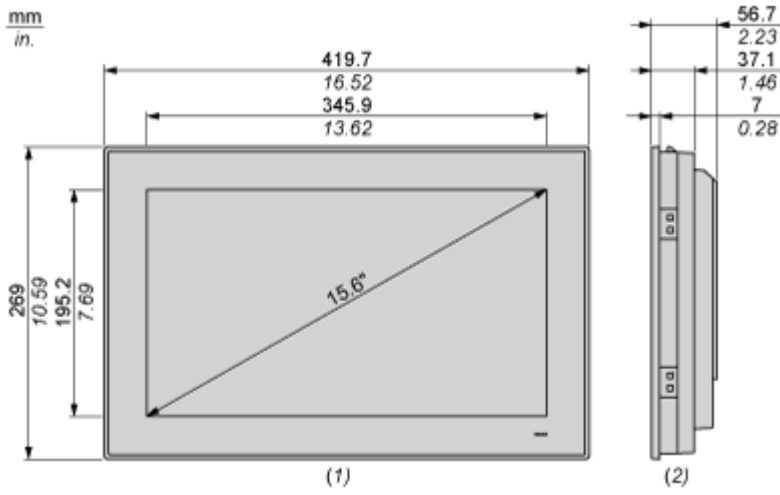
WEEE Label



The product must be disposed on European Union markets following specific waste collection and never end up in rubbish bins

Dimensions Drawings

Dimensions

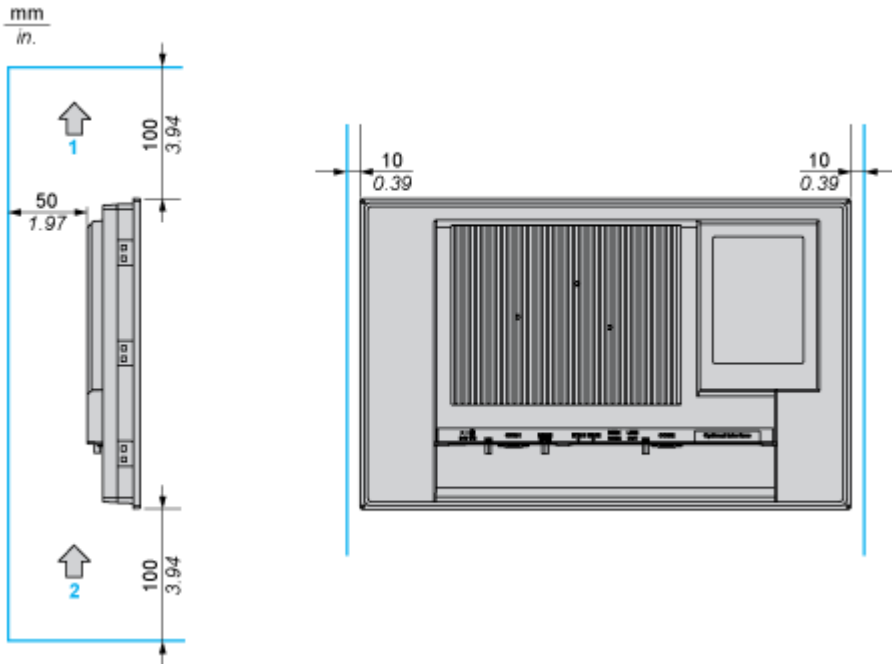


(1) Front view

(2) Right view

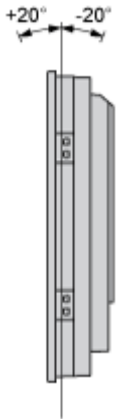
Mounting and Clearance

Spacing Requirements

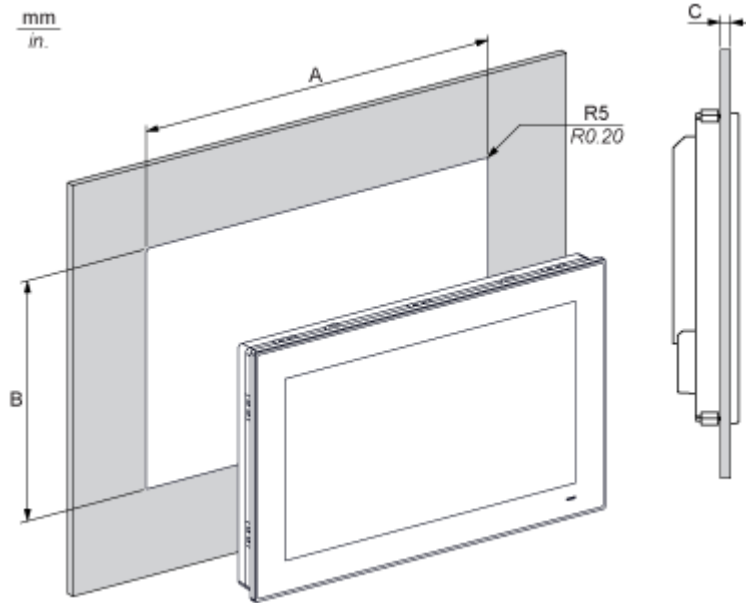


- 1 : Air out
- 2 : Air in

Mounting Orientation



Panel Cut Dimensions



A		B		C		R	
mm	in.	mm	in.	mm	in.	mm	in.
412.4	16.24	261.7	10.30	2...6	0.08...0.23	5	0.20