



Figure similar

Overload relay, 27 ... 32 A, motor protection Size S0, Class 10 Contactor mounting
Main circuit: screw terminal Auxiliary circuit: screw

| | |
|--|------------------------|
| product brand name | SIRIUS |
| product designation | Thermal overload relay |
| product type designation | 3RU7 |
| General technical data | |
| size of overload relay | S0 |
| size of contactor can be combined company-specific | S0 |
| power loss [W] total typical | 9.6 W |
| power loss [W] for rated value of the current at AC in hot operating state | 9.6 W |
| • per pole | 3.2 W |
| type of calculation of power loss current-dependent | quadratic |
| insulation voltage with degree of pollution 3 at AC rated value | 690 V |
| surge voltage resistance rated value | 6 kV |
| protection class IP | |
| • on the front | IP20 |
| • of the terminal | IP20 |
| shock resistance according to IEC 60068-2-27 | 8 g / 11 ms |
| Net Weight | 0.16 kg |
| Ambient conditions | |
| installation altitude at height above sea level maximum | 2 000 m |
| ambient temperature | |
| • during operation | -20 ... +55 °C |
| • during transport | -25 ... +70 °C |
| relative humidity during operation | 0 ... 90 % |
| Main circuit | |
| number of poles for main current circuit | 3 |
| adjustable current response value current of the current-dependent overload release | 27 ... 32 A |
| type of voltage for main current circuit | AC/DC |
| operating voltage rated value | 690 V |
| operating frequency rated value | 50 ... 60 Hz |
| operational current rated value | 32 A |
| Auxiliary circuit | |
| operational current of auxiliary contacts at AC-15 | |
| • at 24 V | 3 A |
| • at 230 V | 2 A |
| operational current of auxiliary contacts at DC-13 at 24 V | 1 A |
| Protective and monitoring functions | |

| | |
|---|---|
| trip class | CLASS 10 |
| design of the overload release | thermal |
| Short-circuit protection | |
| design of the fuse link for short-circuit protection of the auxiliary switch required | fuse gL/gG: 6 A, quick: 10 A |
| Installation/ mounting/ dimensions | |
| mounting position | with vertical mounting surface +/-135° rotatable, with vertical mounting surface +/- 45° tiltable to the front and back |
| fastening method | Contacting mounting |
| height | 97 mm |
| width | 45 mm |
| depth | 96 mm |
| required spacing for grounded parts at the side | 6 mm |
| Connections/ Terminals | |
| type of electrical connection | |
| <ul style="list-style-type: none"> for main current circuit for auxiliary and control circuit | screw-type terminals screw-type terminals |
| arrangement of electrical connectors for main current circuit | Top and bottom |
| type of connectable conductor cross-sections for main contacts | |
| <ul style="list-style-type: none"> solid or stranded finely stranded with core end processing | 2x (1 ... 2.5 mm ²), 2x (2.5 ... 10 mm ²) 2x (1 ... 2.5 mm ²), 2x (2.5 ... 6 mm ²), 1x 10 mm ² max. |
| type of connectable conductor cross-sections for auxiliary contacts | |
| <ul style="list-style-type: none"> solid or stranded finely stranded with core end processing | 2x (0.5 ... 1.5 mm ²), 2x (0.75 ... 2.5 mm ²) 2x (0.5 ... 1.5 mm ²), 2x (0.75 ... 2.5 mm ²) |
| tightening torque | |
| <ul style="list-style-type: none"> for main contacts with screw-type terminals for auxiliary contacts with screw-type terminals | 2 ... 2.5 N·m 0.8 ... 1.2 N·m |
| Electrical Safety | |
| protection class IP on the front according to IEC 60529 | IP20 |
| touch protection on the front according to IEC 60529 | finger-safe, for vertical contact from the front |

| | | |
|-------------------------------|---------------------------------|--------------|
| Approvals Certificates | | |
| Environment | General Product Approval | other |

[Environmental Conformations](#)



[Confirmation](#)

other

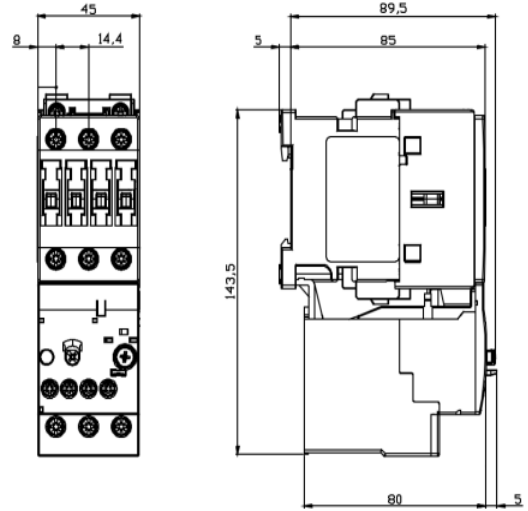
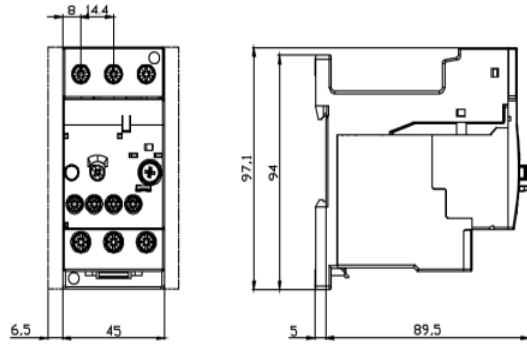


Further information

- Information on the packaging
<https://support.industry.siemens.com/cs/ww/en/view/109813875>
- Information for data generation and storage
<https://support.industry.siemens.com/cs/ww/en/view/109995012>
- Information- and Downloadcenter (Catalogs, Brochures,...)
<https://www.siemens.com/ic10>
- Industry Mall (Online ordering system)
<https://mall.industry.siemens.com/mall/en/en/Catalog/product?mlfb=3RU7126-4EB0>
- Service&Support (Manuals, Certificates, Characteristics, FAQs,...)
<https://support.industry.siemens.com/cs/ww/en/ps/3RU7126-4EB0>
- Image database (product images, 2D dimension drawings, 3D models, device circuit diagrams, EPLAN macros, ...)
https://www.automation.siemens.com/bilddb/cax_de.aspx?mlfb=3RU7126-4EB0&lang=en
- Cax online generator
<https://support.automation.siemens.com/WW/CAXorder/default.aspx?lang=en&mlfb=3RU7126-4EB0>
- Characteristic curves

3RU7126 Mounting with Stand-alone adaptor

3RU7126 Mounting with contactor



last modified:

4/4/2026