



Pneumatic Time-Relay block on-delay 10...180 s 1NO + 1NC for 3RT5 motor contactors size S2 - S3

product category	Pneumatic delay blocks		
product designation	Pneumatic valve block		
<b>General technical data</b>			
adjustable pickup delay time	10 ... 180 s		
active principle	pneumatic		
Substance Prohibition (day/month/year)	05/01/2012		
Net Weight	74 g		
<b>Switching Function</b>			
switching function			
• ON-delay	Yes		
• OFF delay	No		
number of NC contacts delayed switching	1		
number of NO contacts delayed switching	1		
<b>Short-circuit protection</b>			
design of the fuse link for short-circuit protection of the auxiliary switch required	Fuse gG 10 A with short-circuit current I <sub>k</sub> = 1 kA according to IEC 60947-5-1		
<b>Connections/ Terminals</b>			
type of electrical connection for auxiliary and control circuit	screw-type terminals		
<b>Approvals Certificates</b>			
Environment	General Product Approval	EMV	other

[Environmental Confirmations](#)



[Confirmation](#)

other



**Further information**

Information on the packaging  
<https://support.industry.siemens.com/cs/ww/en/view/109813875>  
 Information for data generation and storage  
<https://support.industry.siemens.com/cs/ww/en/view/109995012>  
 Information- and Downloadcenter (Catalogs, Brochures,...)  
<https://www.siemens.com/ic10>  
 Industry Mall (Online ordering system)

<https://mall.industry.siemens.com/mall/en/en/Catalog/product?mlfb=3RT5926-2PA11>

Cax online generator

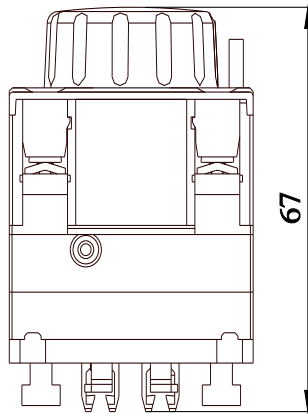
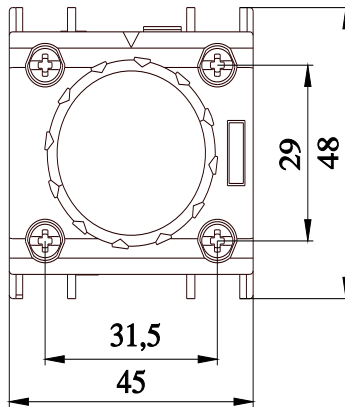
<https://support.automation.siemens.com/WW/CAXorder/default.aspx?lang=en&mlfb=3RT5926-2PA11>

Service&Support (Manuals, Certificates, Characteristics, FAQs,...)

<https://support.industry.siemens.com/cs/ww/en/ps/3RT5926-2PA11>

Image database (product images, 2D dimension drawings, 3D models, device circuit diagrams, EPLAN macros, ...)

[https://www.automation.siemens.com/bilddb/cax\\_de.aspx?mlfb=3RT5926-2PA11&lang=en](https://www.automation.siemens.com/bilddb/cax_de.aspx?mlfb=3RT5926-2PA11&lang=en)



last modified:

4/3/2025 