

# Product data sheet

Specifications



servo motor BSH, Lexium 32,  
0.21N.m, 9000rpm, 40mm,  
untapped shaft, 16 Sincos single  
turn, without brake, IP65

BSH0401P26A2A

**Product availability: Non-Stock - Not normally stocked in  
distribution facility**

## Main

Device short name	BSH
Product or Component Type	Servo motor
Maximum mechanical speed	10000 rpm
Continuous stall torque	1.86 lbf.in (0.21 N.m) LXM32.U60N4 1.5 A, 480 V, three phase 1.86 lbf.in (0.21 N.m) LXM32.U60N4 1.5 A, 400 V, three phase 1.86 lbf.in (0.21 N.m) LXM32.U45M2 1.5 A, 230 V, single phase
Peak stall torque	7.08 lbf.in (0.8 N.m) LXM32.U60N4 1.5 A, 480 V, three phase 7.08 lbf.in (0.8 N.m) LXM32.U60N4 1.5 A, 400 V, three phase 7.08 lbf.in (0.8 N.m) LXM32.U45M2 1.5 A, 230 V, single phase
Nominal output power	166 W LXM32.U60N4 1.5 A, 480 V, three phase 166 W LXM32.U60N4 1.5 A, 400 V, three phase 77 W LXM32.U45M2 1.5 A, 230 V, single phase
Nominal torque	1.558 lbf.in (0.176 N.m) LXM32.U60N4 1.5 A, 480 V, three phase 1.558 lbf.in (0.176 N.m) LXM32.U60N4 1.5 A, 400 V, three phase 1.629 lbf.in (0.184 N.m) LXM32.U45M2 1.5 A, 230 V, single phase
Nominal speed	9000 rpm LXM32.U60N4 1.5 A, 480 V, three phase 9000 rpm LXM32.U60N4 1.5 A, 400 V, three phase 4000 rpm LXM32.U45M2 1.5 A, 230 V, single phase
Shaft end	Smooth shaft
IP Degree of Protection	IP65 standard
Speed feedback resolution	32768 points/turn
Holding brake	Without
Mounting Support	International standard flange
Electrical Connection	Rotatable right-angled connectors

## Complementary

Range Compatibility	Lexium 32
supply voltage max	400 V
Phase	Three phase
Continuous stall current	1.12 A
maximum continuous power	220 W
Maximum current Irms	4.7 A LXM32.U60N4 480 V 4.7 A LXM32.U60N4 400 V 4.7 A LXM32.U45M2 230 V
Maximum permanent current	1.12 A
Switching frequency	8 kHz

Price is "List Price" and may be subject to a trade discount – check with your local distributor or retailer for actual price.

<b>Second shaft</b>	Without second shaft end
<b>Shaft diameter</b>	0.3 in (8 mm)
<b>Shaft length</b>	1.0 in (25 mm)
<b>Feedback type</b>	Single turn SinCos Hiperface
<b>Motor flange size</b>	1.6 in (40 mm)
<b>Number of motor stacks</b>	1
<b>Torque constant</b>	0.19 N.m/A 248 °F (120 °C)
<b>Back emf constant</b>	13.6 V/krpm 68 °F (20 °C)
<b>Number of motor poles</b>	5.0
<b>Rotor inertia</b>	0.0232 kg.cm <sup>2</sup>
<b>Stator resistance</b>	17.2 Ohm 68 °F (20 °C)
<b>Stator inductance</b>	7.3 mH 68 °F (20 °C)
<b>Stator electrical time constant</b>	0.85 ms 68 °F (20 °C)
<b>Maximum axial force Fa</b>	0.2 x Fr
<b>Type of cooling</b>	Natural convection
<b>Length</b>	2.9 in (73.4 mm)
<b>Centring collar diameter</b>	1.2 in (30 mm)
<b>Centring collar depth</b>	0.10 in (2.5 mm)
<b>Number of mounting holes</b>	4
<b>Mounting holes diameter</b>	0.2 in (4.5 mm)
<b>Circle diameter of the mounting holes</b>	1.8 in (46 mm)
<b>Product Weight</b>	0.9 lb(US) (0.4 kg)
<b>Sizing reference</b>	BSH0401P
<b>Network number of phases</b>	3
<b>Accuracy error [angular]</b>	0.08 °
<b>Temperature copper hot</b>	248 °F (120 °C)
<b>Temperature magnet hot</b>	212 °F (100 °C)
<b>Temperature magnet rt</b>	68 °F (20 °C)
<b>Output current 3s peak</b>	4.5 A
<b>Inertia</b>	0.0 kg.cm <sup>2</sup> of brake 0.023 kg.cm <sup>2</sup> of motor

## Ordering and shipping details

<b>Category</b>	US1PC5318282
<b>Discount Schedule</b>	PC53
<b>GTIN</b>	3606485467108
<b>Returnability</b>	No

## Packing Units

<b>Unit Type of Package 1</b>	PCE
<b>Nbr. of units in pkg.</b>	1

---

<b>Package 1 Height</b>	4.3 in (11.0 cm)
<b>Package 1 Width</b>	6.7 in (17.0 cm)
<b>Package 1 Length</b>	9.4 in (24.0 cm)
<b>Package weight(Lbs)</b>	22.1 oz (627.0 g)

---

## **Contractual warranty**

---

<b>Warranty (in months)</b>	18
-----------------------------	----



## Environmental Data

Schneider Electric aims to achieve Net Zero status by 2050 through supply chain partnerships, lower impact materials, and circularity via our ongoing “Use Better, Use Longer, Use Again” campaign to extend product lifetimes and recyclability.

[Environmental Data explained >](#)

[How we assess product sustainability >](#)

### Use Better

<b>Materials and Substances</b>	
Packaging made with recycled cardboard	Yes
Packaging without single use plastic	No
SCIP Number	8c11b0c9-e501-4810-83eb-05fc6605ede4
EU RoHS Directive	<a href="#">Compliant By Exemption</a>
REACH Regulation	<a href="#">Reference contains Substances of Very High Concern above the threshold</a>
California proposition 65	<b>WARNING:</b> This product can expose you to chemicals including: Lead and lead compounds, which is known to the State of California to cause cancer and birth defects or other reproductive harm. For more information go to <a href="http://www.P65Warnings.ca.gov">www.P65Warnings.ca.gov</a>
PVC free	Yes

### Use Longer

<b>Lifetime extension</b>	
Repair	No

### Use Again

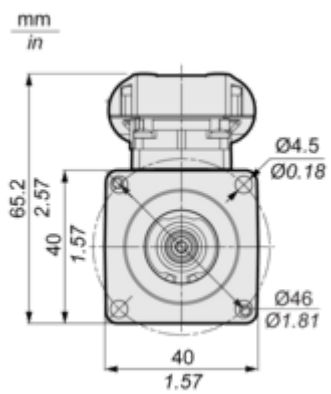
<b>Repack and remanufacture</b>	
Take-back	No
WEEE Label	The product must be disposed on European Union markets following specific waste collection and never end up in rubbish bins.

Dimensions Drawings

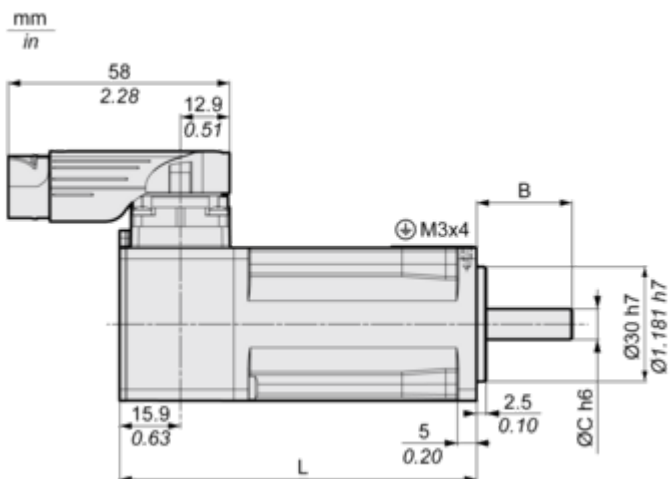
Servo Motors Dimensions

For Servo Motor without Brake

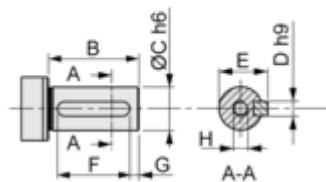
Front view



Left view



DIN 6885 A



	Dimensions in mm	Dimensions in in.
L	73.4	2.89
B	25	0.98
C	8	0.31
D	3	0.12

	Dimensions in mm	Dimensions in in.
<b>E</b>	9.2	0.36
<b>F</b>	12	0.47
<b>G</b>	4	0.16
<b>H</b>	DIN 332 DS M3 x 9	
<b>A</b>	DIN 6885-A3x3x12	