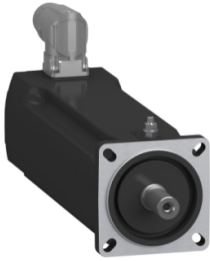


# Product data sheet

Specifications



SH3 servomotor, 70mm, 3 stacks, smooth Shaft, Multiturn DSL 18bit, no Brake, OneMotorCable angular M23, IP65/65

SH30703P0BA4100

! Discontinued

## Main

Range compatibility	PacDrive 3
Device short name	SH3
Product or component type	Servo motor

## Complementary

Maximum mechanical speed	8000 rpm
[Us] rated supply voltage	115...480 V
Network number of phases	Three phase
Continuous stall current	4.1 A
Continuous stall torque	2.94 N.m at 115...480 V three phase
Continuous power	1330 W
Peak stall torque	11.3 N.m at 115...480 V three phase
Nominal output power	830 W at 230 V single phase 1330 W at 400 V three phase 1330 W at 480 V three phase
Nominal torque	2.8 N.m at 230 V single phase 2.1 N.m at 400 V three phase 2.1 N.m at 480 V three phase
Nominal speed	3000 rpm at 230 V single phase 6000 rpm at 400 V three phase 7200 rpm at 480 V three phase
Maximum current Irms	17.0 A
Shaft end	Smooth shaft
Shaft diameter	14 mm
Shaft length	30 mm
IP degree of protection	IP65 motor: conforming to IEC 60034-5 IP65 shaft bushing: conforming to IEC 60034-5
Encoder type	Absolute multiturn Hiperface DSL
Speed feedback resolution	262144 points/turn x 4096 turns
Holding brake	Without
Mounting support	International standard flange
Motor flange size	70 mm
Electrical connection	Straight connector
Torque constant	0.72 N.m/A at 120 °C

Back emf constant	49 V/krpm at 20 °C
Number of motor poles	3.0
Rotor inertia	0.580 kg.cm <sup>2</sup>
Stator resistance	2.7 Ohm
Stator inductance	14.6 mH
Maximum radial force Fr	1070 N at 1000 rpm
Maximum axial force Fa	160 N
Type of cooling	Natural convection
Length	220 mm
Centring collar diameter	60 mm
Centring collar depth	2.5 mm
Number of mounting holes	4
Mounting holes diameter	5.5 mm
Circle diameter of the mounting holes	82 mm
Net weight	3.6 kg
Sizing reference	SH30703P
Network number of phases	3
Temperature copper hot	130 °C
Electrical connection	quicklock rotatable right angled connector
Output current 3s peak	17.0 A
Inertia	0.0 kg.cm <sup>2</sup> of brake 0.0 kg.cm <sup>2</sup> of motor

## Packing Units

Unit Type of Package 1	PCE
Number of Units in Package 1	1
Package 1 Height	11.5 cm
Package 1 Width	19.0 cm
Package 1 Length	39.5 cm
Package 1 Weight	4.1 kg

## Contractual warranty

Warranty (in months)	18
----------------------	----



## Environmental Data

Schneider Electric aims to achieve Net Zero status by 2050 through supply chain partnerships, lower impact materials, and circularity via our ongoing “Use Better, Use Longer, Use Again” campaign to extend product lifetimes and recyclability.

[Environmental Data explained >](#)

[How we assess product sustainability >](#)



### Environmental footprint

Total lifecycle Carbon footprint	3 146 kg CO2 eq.
Carbon footprint of the manufacturing phase [A1 to A3]	18 kg CO2 eq.
Carbon footprint of the distribution phase [A4]	0.5 kg CO2 eq.
Carbon footprint of the installation phase [A5]	0 kg CO2 eq.
Carbon footprint of the use phase [B2, B3, B4, B6]	3 127 kg CO2 eq.
Carbon footprint of the end-of-life phase [C1 to C4]	0.4 kg CO2 eq.

## Use Better



### Materials and Substances

Packaging made with recycled cardboard	Yes
Packaging without single use plastic	No
SCIP Number	Ead0850d-370a-47c5-8cf7-1d93c2c974a4
EU RoHS Directive	<a href="#">Compliant By Exemption</a>
REACH Regulation	<a href="#">Reference contains Substances of Very High Concern above the threshold</a>
PVC free	Yes

## Use Longer



### Lifetime extension

Repair	No
--------	----

## Use Again

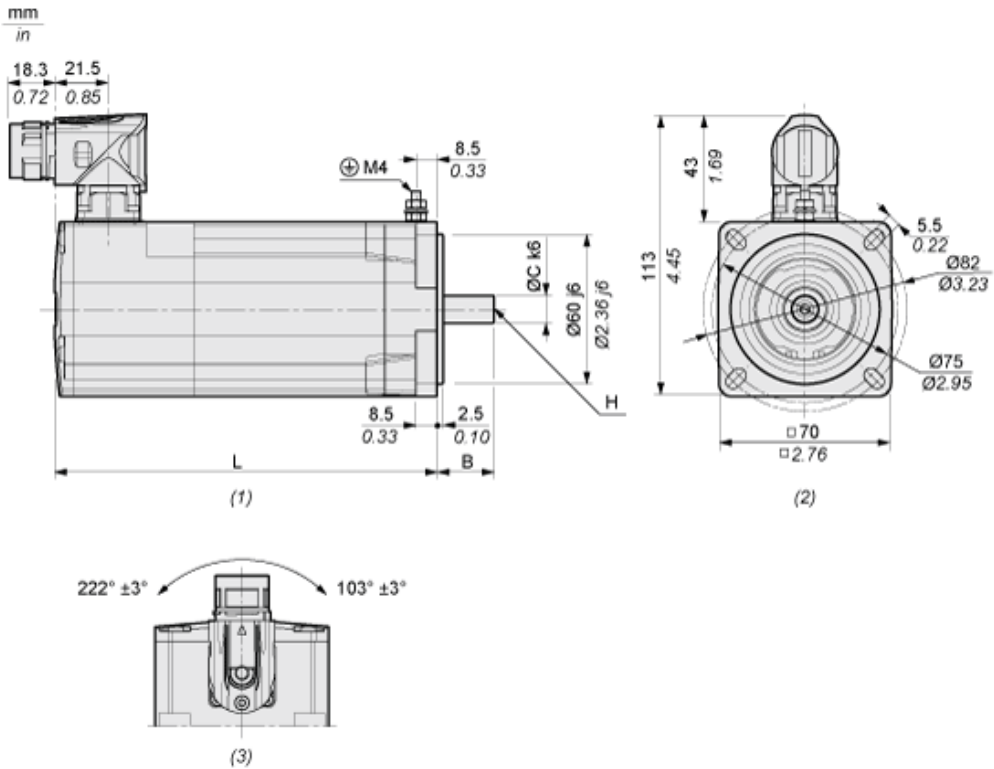


### Repack and remanufacture

End of life manual availability	No need of specific recycling operations
Take-back	No

Dimensions Drawings

Dimensions



- (1) : Side view
- (2) : Mounting
- (3) : Rotating area

Characteristic	Unit	Value
L Length without holding brake	mm (in)	220 (8.66)
B Shaft length	mm (in)	30 (1.18)
C Shaft diameter	mm (in)	14 (0.55)
H Female thread of shaft		DIN 332-D M5